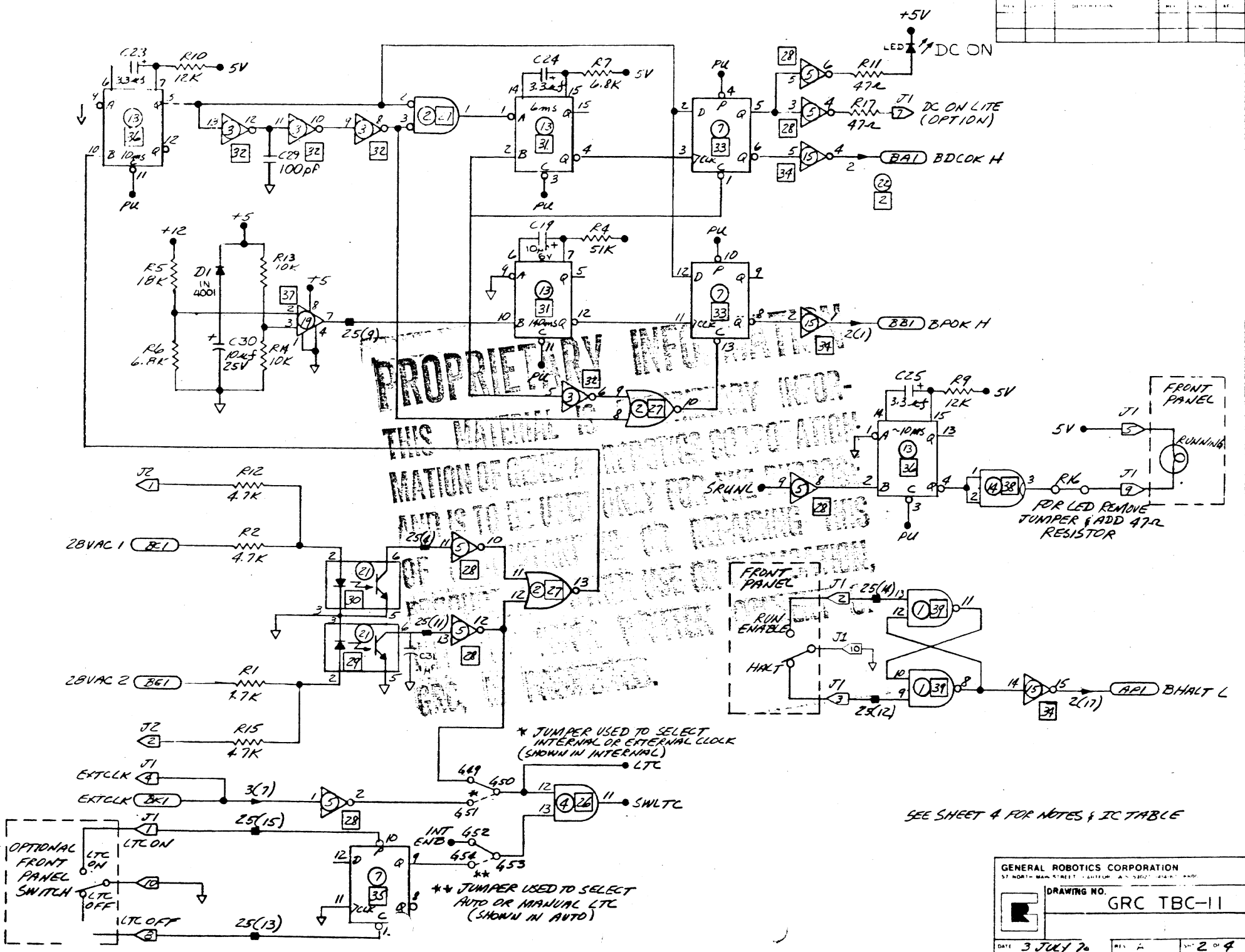
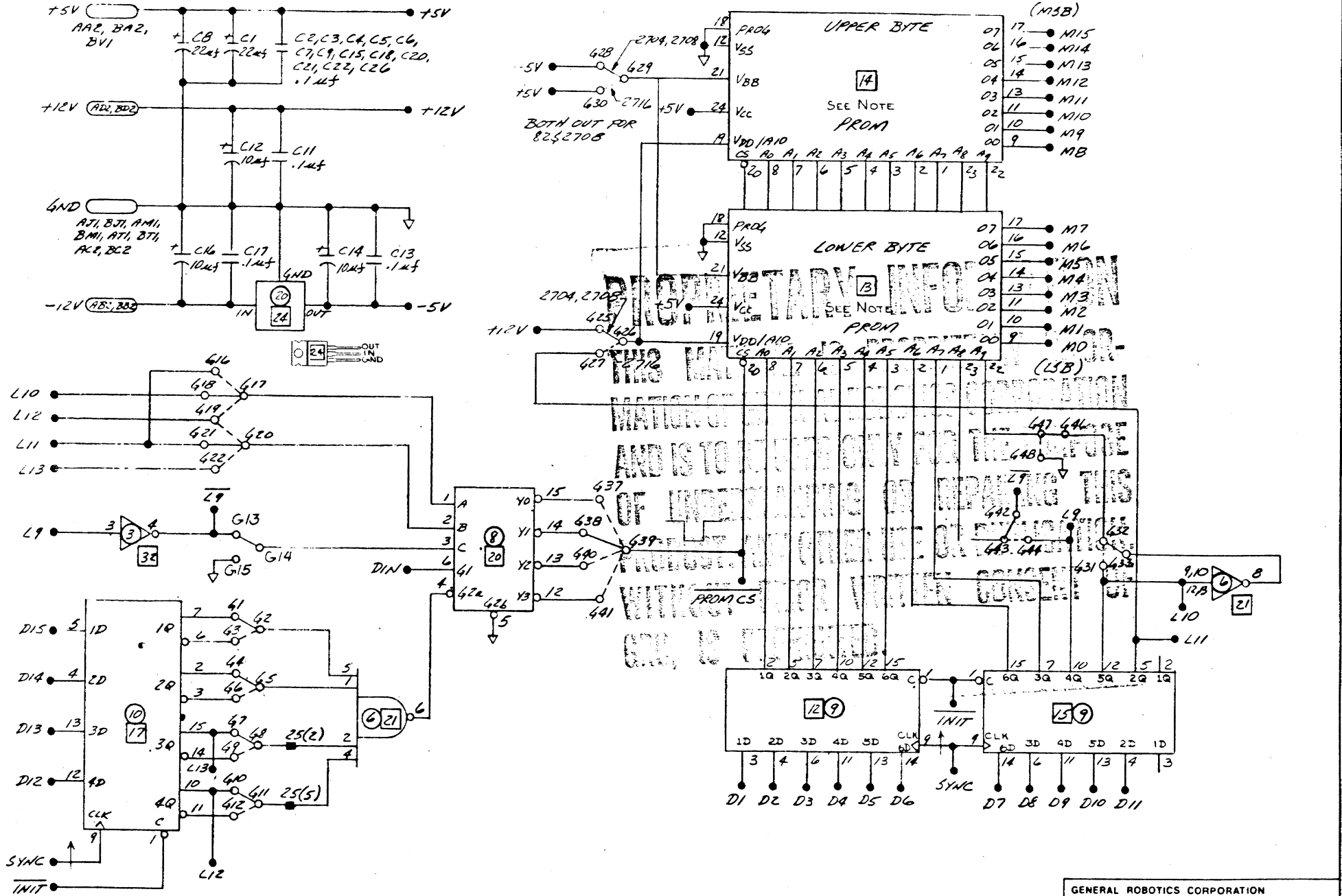


REV.	DESCRIPTION	DATE	BY	CHK.



NOTE: PROMS CAN BE ANY OF THE FOLLOWING;
 2704, 2708,
 8232708, 2716, 7408

--	--	--	--	--	--	--	--	--	--



SEE SHEET 4 FOR NOTES & IC TABLE

GENERAL ROBOTICS CORPORATION
 57 NORTH MAIN STREET HARTFORD, CT 06107 (418) 71-6900

DRAWING NO. GRC TBC-II

DATE 5 JULY 73 REV A SH: 3 OF 4
 DRAWN BY TUG/8 INCH 1/16 APP'D

