



cpld.sch



MISC-AA1	2	1	+5V
MISC-AB1	4	3	MISC-AB2
GND	6	5	GND
MA0-L	8	7	EMA0-L
MA1-L	10	9	EMA1-L
GND	12	11	GND
MA2-L	14	13	EMA2-L
MA3-L	16	15	MEM-START-L
MD0-L	18	17	MD-DIR-L
MD1-L	20	19	SOURCE
MD2-L	22	21	STROBE
GND	24	23	GND
MD3-L	26	25	INHIBIT
DATA0-L	28	27	RETURN
DATA1-L	30	29	WRITE-L
GND	32	31	GND
DATA2-L	34	33	ROM-ADDR-L
DATA3-L	36	35	LINK-L

MISC-BA1	2	1	+5V
MISC-BB1	4	3	MISC-BB2
GND	6	5	GND
MA4-L	8	7	INT-STROBE
MA5-L	10	9	BRK-IN-PROG-L
GND	12	11	GND
MA6-L	14	13	MA-MS-LOAD-CONT-L
MA7-L	16	15	OVERFLOW-L
MD4-L	18	17	BRK-DATA-CONT-L
MD5-L	20	19	BREAK-CYCLE-L
MD6-L	22	21	LD-ADD-ENABLE-L
GND	24	23	GND
MD7-L	26	25	INT-IN-PROG-H
DATA4-L	28	27	RES1
DATA5-L	30	29	RES2
GND	32	31	GND
DATA6-L	34	33	RUN-L
DATA7-L	36	35	POWER-OK

MISC-CA1	2	1	+5V
MISC-CB1	4	3	MISC-CB2
GND	6	5	GND
IO-PAUSE-L	8	7	TP1-L
C0-L	10	9	TP2-L
GND	12	11	GND
C1-L	14	13	TP3
C2-L	16	15	TP4
BUS-STROBE	18	17	TS1-L
INTER-IO-L	20	19	TS2-L
NOT-LAST-TRANSFER-L	22	21	TS3-L
GND	24	23	GND
INT-RQST-L	26	25	TS4-L
INITIALIZE	28	27	LINK-DATA-L
SKIP-L	30	29	LINK-LOAD-L
GND	32	31	GND
CPMA-DISABLE-L	34	33	IND1-L
MS-IR-DISABLE-L	36	35	IND2-L

MISC-DA1	2	1	+15
MISC-DB1	4	3	-15
GND	6	5	GND
MA8-L	8	7	IR0-L
MA9-L	10	9	IR1-L
GND	12	11	GND
MA10-L	14	13	IR2-L
MA11-L	16	15	F-L
MD8-L	18	17	D-L
MD9-L	20	19	E-L
MD10-L	22	21	USER-MODE
GND	24	23	GND
MD11-L	26	25	F-SET-L
DATA8-L	28	27	PULSE-LA-ADDR-H
DATA9-L	30	29	STOP-L
GND	32	31	GND
DATA10-L	34	33	KEY-CONT-L
DATA11-L	36	35	SWITCH-L

MISC-AA1	TP	AA1	AA2	+5V
MISC-AB1	TP	AB1	AB2	-15
MISC-AB2				MISC-AB2
GND	SP-GND	AC1	AC2	GND
MA0-L		AD1	AD2	EMA0-L
MA1-L		AE1	AE2	EMA1-L
GND		AF1	AF2	GND
MA2-L		AH1	AH2	EMA2-L
MA3-L		AJ1	AJ2	MEM-START-L
MD0-L		AK1	AK2	MD-DIR-L
MD1-L		AL1	AL2	SOURCE
MD2-L		AM1	AM2	STROBE
GND		AN1	AN2	GND
MD3-L		AP1	AP2	INHIBIT
DATA0-L		AR1	AR2	RETURN
DATA1-L		AS1	AS2	WRITE-L
GND		AT1	AT2	GND
DATA2-L		AU1	AU2	ROM-ADDR-L
DATA3-L		AV1	AV2	LINK-L

MISC-BA1	TP	BA1	BA2	+5V
MISC-BB1	TP	BB1	BB2	-15
MISC-BB2				MISC-BB2
GND		BC1	BC2	GND
MA4-L		BD1	BD2	INT-STROBE
MA5-L		BE1	BE2	BRK-IN-PROG-L
GND		BF1	BF2	GND
MA6-L		BH1	BH2	MA-MS-LOAD-CONT-L
MA7-L		BJ1	BJ2	OVERFLOW-L
MD4-L		BK1	BK2	BRK-DATA-CONT-L
MD5-L		BL1	BL2	BREAK-CYCLE-L
MD6-L		BM1	BM2	LD-ADD-ENABLE-L
GND		BN1	BN2	GND
MD7-L		BP1	BP2	INT-IN-PROG-H
DATA4-L		BR1	BR2	RES1
DATA5-L		BS1	BS2	RES2
GND		BT1	BT2	GND
DATA6-L		BU1	BU2	RUN-L
DATA7-L		BV1	BV2	POWER-OK

MISC-CA1	TP	CA1	CA2	+5V
MISC-CB1	TP	CB1	CB2	-15
MISC-CB2				MISC-CB2
GND		CC1	CC2	GND
IO-PAUSE-L		CD1	CD2	TP1-L
C0-L		CE1	CE2	TP2-L
GND		CF1	CF2	GND
C1-L		CH1	CH2	TP3
C2-L		CJ1	CJ2	TP4
BUS-STROBE		CK1	CK2	TS1-L
INTER-IO-L		CL1	CL2	TS2-L
NOT-LAST-TRANSFER-L		CM1	CM2	TS3-L
GND		CN1	CN2	GND
INT-RQST-L		CP1	CP2	TS4-L
INITIALIZE		CR1	CR2	LINK-DATA-L
SKIP-L		CS1	CS2	LINK-LOAD-L
GND		CT1	CT2	GND
CPMA-DISABLE-L		CU1	CU2	IND1-L
MS-IR-DISABLE-L		CV1	CV2	IND2-L

MISC-DA1	TP	DA1	DA2	+15
MISC-DB1	TP	DB1	DB2	-15
MISC-DB2				MISC-DB2
GND		DC1	DC2	GND
MA8-L		DD1	DD2	IR0-L
MA9-L		DE1	DE2	IR1-L
GND		DF1	DF2	GND
MA10-L		DH1	DH2	IR2-L
MA11-L		DJ1	DJ2	F-L
MD8-L		DK1	DK2	D-L
MD9-L		DL1	DL2	E-L
MD10-L		DM1	DM2	USER-MODE
GND		DN1	DN2	GND
MD11-L		DP1	DP2	F-SET-L
DATA8-L		DR1	DR2	PULSE-LA-ADDR-H
DATA9-L		DS1	DS2	STOP-L
GND		DT1	DT2	GND
DATA10-L		DU1	DU2	KEY-CONT-L
DATA11-L		DV1	DV2	SWITCH-L

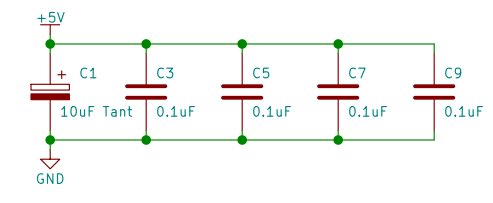
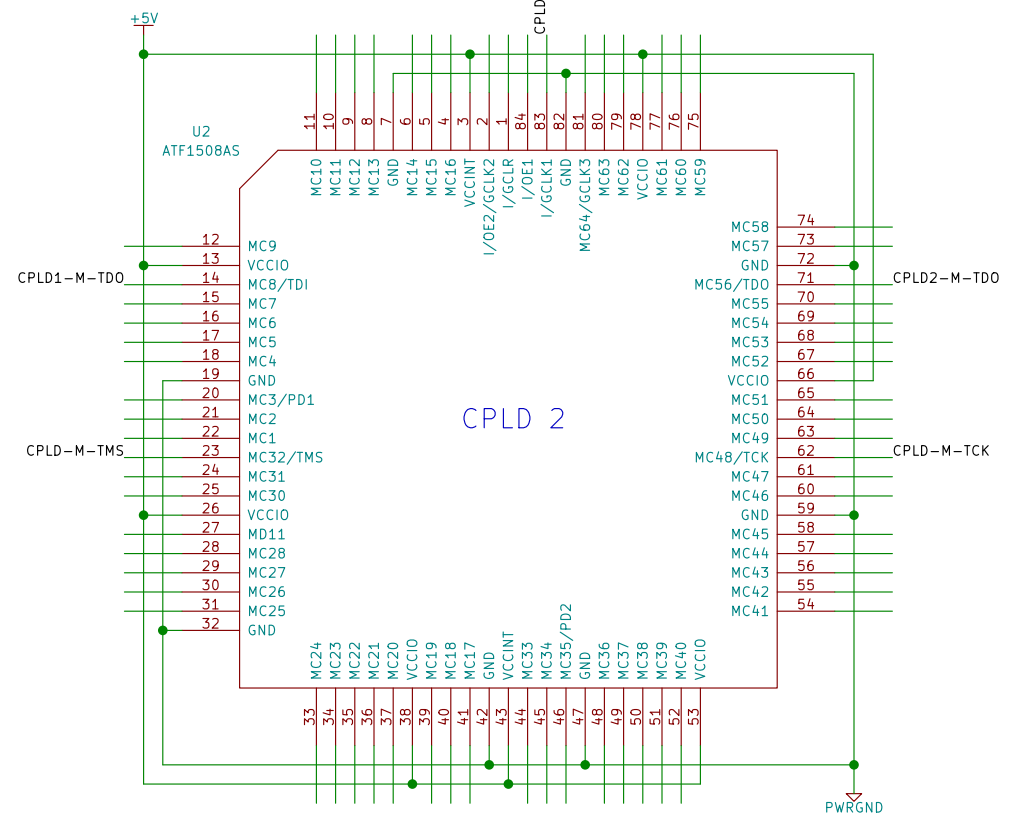
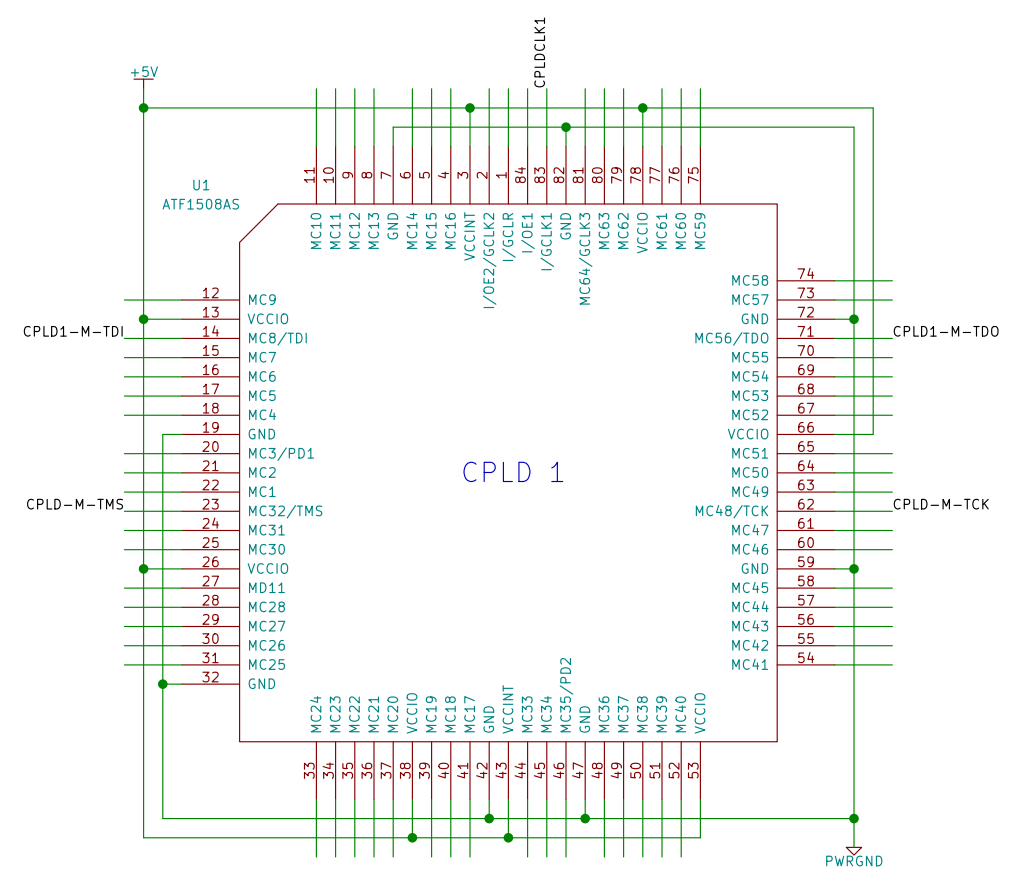
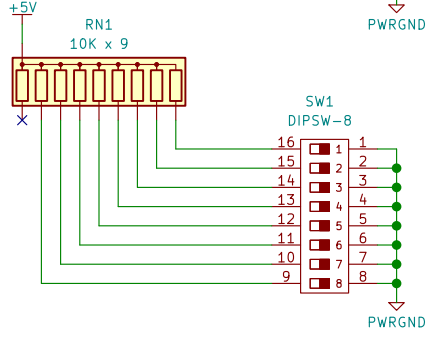
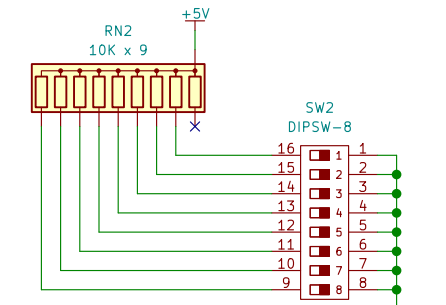
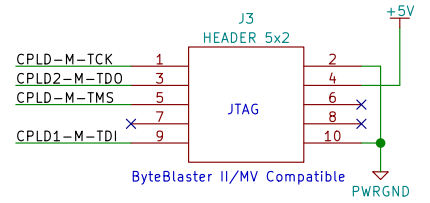
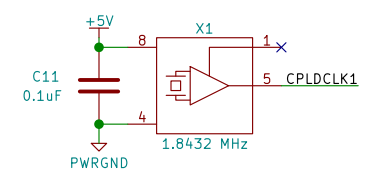
malcolm@avitech.com.au
Malcolm Macleod
www.avitech.com.au

Sheet: /
File: omnibus-cpld-prototype-1.sch

Title: OMNIBUS CPLD Prototyping Board #1

Size: A3 Date: 18 April 2018
KiCad E.D.A. kicad 4.0.6

Rev: 1.0
Id: 1/2

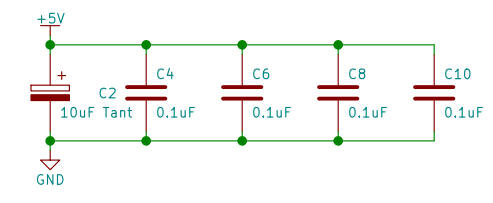


J2
40 PIN R/A HEADER

1	VV	UU	2
3	TT	SS	4
5	RR	PP	6
7	NN	MM	8
9	LL	KK	10
11	JJ	HH	12
13	FF	EE	14
15	DD	CC	16
17	BB	AA	18
19	Z	Y	20
21	X	W	22
23	V	U	24
25	T	S	26
27	R	P	28
29	N	M	30
31	L	K	32
33	J	H	34
35	F	E	36
37	D	C	38
39	B	A	40

J6
40 PIN R/A HEADER

1	VV	UU	2
3	TT	SS	4
5	RR	PP	6
7	NN	MM	8
9	LL	KK	10
11	JJ	HH	12
13	FF	EE	14
15	DD	CC	16
17	BB	AA	18
19	Z	Y	20
21	X	W	22
23	V	U	24
25	T	S	26
27	R	P	28
29	N	M	30
31	L	K	32
33	J	H	34
35	F	E	36
37	D	C	38
39	B	A	40



J5
40 PIN R/A HEADER

1	VV	UU	2
3	TT	SS	4
5	RR	PP	6
7	NN	MM	8
9	LL	KK	10
11	JJ	HH	12
13	FF	EE	14
15	DD	CC	16
17	BB	AA	18
19	Z	Y	20
21	X	W	22
23	V	U	24
25	T	S	26
27	R	P	28
29	N	M	30
31	L	K	32
33	J	H	34
35	F	E	36
37	D	C	38
39	B	A	40