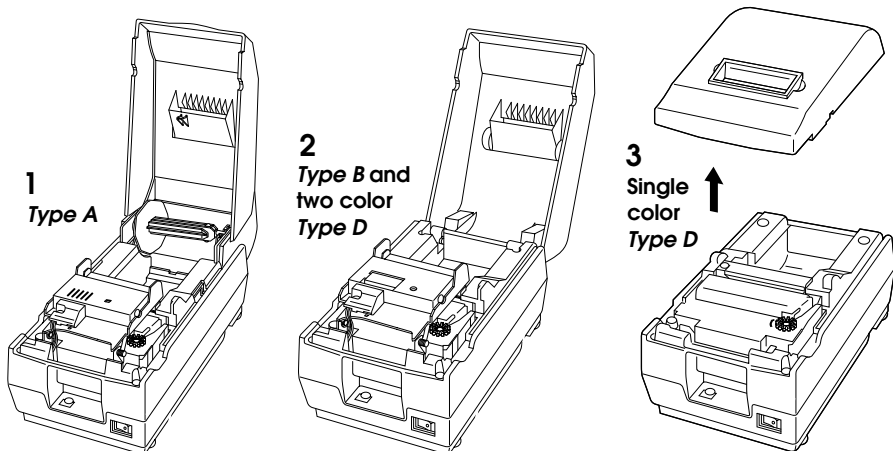


# **TM-U210 Series**

**User's Manual / Bedienungsanleitung  
Gebruikershandleiding / Manuel d'utilisation  
Manual do utilizador / Manual del usuario  
Manuale dell'utente**

## Printer Parts



## DIP Switch Tables

### Serial

| SW          | Function  | ON                               | OFF  |
|-------------|---|----------------------------------|--|
| 1-1         | Data reception error                                | Ignored                          | Prints "?"   |
| 1-2         | Receive buffer capacity                             | 40 bytes                         | ANK Model: 1000 bytes<br>Multilingual model: 512 bytes |
| 1-3         | Handshaking   | XON/XOFF                         | DTR/DSR  |
| 1-4         | Word length   | 7 bits                           | 8 bits   |
| 1-5         | Parity check  | Yes                              | No   |
| 1-6         | Parity selection                                    | Even                             | Odd  |
| 1-7         | Baud rate   | 4800 bps                         | 9600 bps   |
| 1-8         | Busy condition                                      | BUSY when receive buffer is full | BUSY when offline or receive buffer full               |
| 2-1         | Print column selection<br>7 × 9 font/<br>9 × 9 font | 42/35                            | 40/33  |
| 2-2,<br>2-3 | For internal use only. Do not change.               |                                  |  |
| 2-4         | Undefined   |                                  |  |
| 2-5,<br>2-6 | For internal use only. Do not change.               |                                  |  |
| 2-7         | Undefined   |                                  |  |
| 2-8         | Pin 6 reset signal                                  | Used                             | Not used   |
| 2-8         | Pin 25 reset signal                                 | Used                             | Not used   |

### Parallel

| SW               | Function  | ON                               | OFF  |
|------------------|---|----------------------------------|--|
| 1-1              | Auto line feed                                      | Enabled                          | Disabled   |
| 1-2              | Receive buffer capacity                             | 40 bytes                         | ANK Model: 1000 bytes<br>Multilingual model: 512 bytes |
| 1-3<br>to<br>1-7 | Undefined   |                                  |  |
| 1-8              | BUSY condition                                      | BUSY when receive buffer is full | BUSY when offline or receive buffer full               |
| 2-1              | Print column selection<br>7 × 9 font/<br>9 × 9 font | 42/35                            | 40/33  |
| 2-2,<br>2-3      | Internal use only. Do not change.                   |                                  |  |
| 2-4              | Undefined   |                                  |  |
| 2-5,<br>2-6      | For internal use only. Do not change.               |                                  |  |
| 2-7              | Undefined   |                                  |  |
| 2-8              | Pin 31 reset  | Used                             | Not used   |

All rights reserved. No part of this publication may be reproduced, stored in a retrieval system, or transmitted in any form or by any means, electronic, mechanical, photocopying, recording, or otherwise, without the prior written permission of Seiko Epson Corporation. No patent liability is assumed with respect to the use of the information contained herein. While every precaution has been taken in the preparation of this book, Seiko Epson Corporation assumes no responsibility for errors or omissions. Neither is any liability assumed for damages resulting from the use of the information contained herein.

Neither Seiko Epson Corporation nor its affiliates shall be liable to the purchaser of this product or third parties for damages, losses, costs, or expenses incurred by purchaser or third parties as a result of: accident, misuse, or abuse of this product or unauthorized modifications, repairs, or alterations to this product, or (excluding the U.S.) failure to strictly comply with Seiko Epson Corporation's operating and maintenance instructions.

Seiko Epson Corporation shall not be liable against any damages or problems arising from the use of any options or any consumable products other than those designated as Original Epson Products or Epson Approved Products by Seiko Epson Corporation.

EPSON and ESC/POS are registered trademarks of Seiko Epson Corporation.

**NOTICE:** The contents of this manual are subject to change without notice.

Copyright © 2001 by Seiko Epson Corporation, Nagano, Japan.

## EMC and Safety Standards Applied

### Printer

Product Name: TM-U210A/TM-U210B/TM-U210D  
Model Name: M119A/M119B/M119D

The following standards are applied only to the printers that are so labeled. (EMC is tested using the packaged AC adapter and PS-170.)

Europe: CE marking  
Safety: EN 60950

North America: EMI: FCC/ICES-003 Class A  
Safety: UL 1950/CSA C22.2 No. 950

Japan: EMC: VCCI Class A

Oceania: EMC: AS/NZS 3548 Class B

Taiwan: EMC: Class B

### AC Adapter

Product Name: PA-6511/6513, PB-6509/6510  
Model Name: M34PA, M34PB

The following standards are applied only to the AC adapters that are so labeled. (The printer and the AC adapter together are applied to the EMC standards.)

Europe: CE marking  
Safety: EN 60950

North America: Safety: UL 1950/CSA C22.2 No. 950

Japan: Safety: Electrical Appliance and Material Control Law of Japan

Oceania: Safety: AS 3260

### WARNING

The connection of a non-shielded printer interface cable to this printer will invalidate the EMC standards of this device. You are cautioned that changes or modifications not expressly approved by SEIKO EPSON Corporation could void your authority to operate the equipment.

### CE Marking

The printer conforms to the following Directives and Norms:

|                      |   |
|----------------------|---|
| Directive 89/336/EEC | EN 55022 Class B<br>EN 55024<br>IEC 61000-4-2<br>IEC 61000-4-3<br>IEC 61000-4-4<br>IEC 61000-4-5<br>IEC 61000-4-6<br>IEC 61000-4-11 |
| Directive 90/384/EEC | EN 45501  |

### FCC Compliance Statement For American Users

This equipment has been tested and found to comply with the limits for a Class A digital device, pursuant to Part 15 of the FCC Rules. These limits are designed to provide reasonable protection against harmful interference when the equipment is operated in a commercial environment.

This equipment generates, uses, and can radiate radio frequency energy and, if not installed and used in accordance with the instruction manual, may cause harmful interference to radio communications.

Operation of this equipment in a residential area is likely to cause harmful interference, in which case the user will be required to correct the interference at his own expense.

### FOR CANADIAN USERS

This Class A digital apparatus complies with Canadian ICES-003.

## Safety Precautions

This section presents important information intended to ensure safe and effective use of this product. Please read this section carefully and store it in an accessible location.



### **WARNING:**

*Shut down your equipment immediately if it produces smoke, a strange odor, or unusual noise. Continued use may lead to fire. Immediately unplug the equipment and contact your dealer or a SEIKO EPSON service center for advice.*

*Never attempt to repair this product yourself. Improper repair work can be dangerous.*

*Never disassemble or modify this product. Tampering with this product may result in injury or fire.*

*Be sure to use the specified power source. Connection to an improper power source may cause fire.*

*Do not allow foreign matter to fall into the equipment. Penetration by foreign objects may lead to fire.*

*If water or other liquid spills into this equipment, unplug the power cord immediately, and then contact your dealer or a SEIKO EPSON service center for advice. Continued usage may lead to fire.*



### **CAUTION:**

*Do not connect cables in ways other than those mentioned in this manual. Different connections may cause equipment damage and burning.*

*Be sure to set this equipment on a firm, stable, horizontal surface. The product may break or cause injury if it falls.*

*Do not use in locations subject to high humidity or dust levels. Excessive humidity and dust may cause equipment damage or fire.*

*Do not place heavy objects on top of this product. Never stand or lean on this product. Equipment may fall or collapse, causing breakage and possible injury.*

*To ensure safety, unplug this product before leaving it unused for an extended period.*

## Caution Labels



### **WARNING:**

Do not connect a telephone line to the drawer kick-out connector; otherwise, the printer and the telephone line may be damaged.



### **CAUTION:**

The print head is hot.

## Features of Printer Types

|                      | <i>Type A</i>                 | <i>Type B</i>                 | <i>Type D</i>                 |
|----------------------|-------------------------------|-------------------------------|-------------------------------|
| Two color printing   | Yes                           | Yes                           | Single color or two color     |
| Autocutter           | Yes                           | Yes                           | No                            |
| Take up device       | Yes                           | No                            | No                            |
| Interface            | Serial or parallel            | Serial or parallel            | Serial or parallel            |
| Characters supported | Alphanumeric or multilingual* | Alphanumeric or multilingual* | Alphanumeric or multilingual* |

\* Multilingual models can print alphanumeric characters and one of the following: Japanese Kanji, Chinese Kanji, Taiwanese Kanji, or Thai characters.

Because **Type D** printers do not have autocutters, skip the autocutter parts of the instructions if you are using a **Type D** printer.

## Illustrations

Because this manual covers three types of the TM-U210, some of the illustrations may be slightly different from your printer; however, the instructions cover all types, except as noted.

## Unpacking

The following items may be included with the printer, depending on the specifications of your model. If any item is damaged, contact your dealer.

- Printer
- Power switch cover
- Journal take up spool
- Paper roll
- Ribbon cassette
- AC adapter

## Control Panel

### FEED button

This button feeds paper.

### ERROR LED

This indicates an error.

### POWER LED

The POWER light is on when the printer is on.

### PAPER OUT LED

On indicates a paper near end or out. Flashing indicates standby.

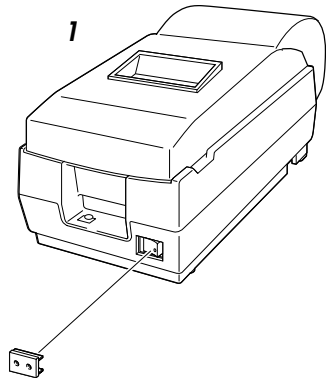
## Using the Power Switch Cover



### WARNING:

*If an accident occurs with the power switch cover attached, unplug the power cord immediately. Continued use may cause fire or shock.*

The enclosed power switch cover ensures that the power switch is not pressed accidentally. To use this cover, install it as shown in illustration 1.



## Installing the Ribbon Cassette



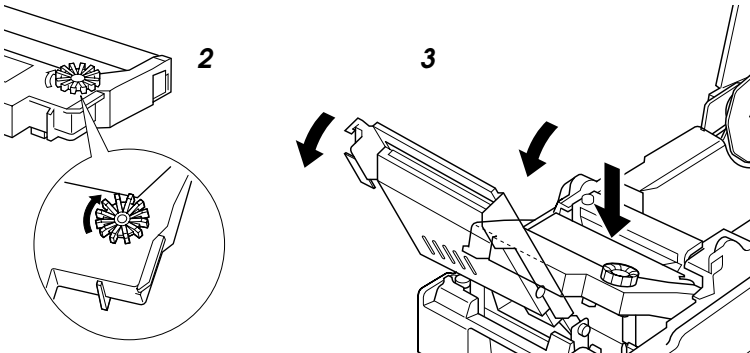
### CAUTION:

Never turn the ribbon cassette's feed knob in the opposite direction of the arrow marked on the cassette; otherwise the ribbon cassette may be damaged.

### Note:

Use the EPSON ERC-38 ribbon cassette for your printer.

1. Open the printer cover and turn the knob two or three times in the direction of the arrow as shown in illustration **2** below.
2. Open the autocutter by pulling the tab up and toward you.
3. Insert the ribbon in the position shown in illustration **3** below and push the ribbon cassette down until it clicks.



### Note:

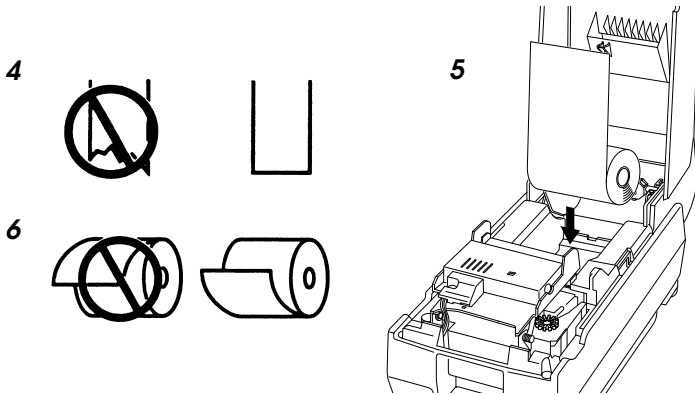
Make sure the ribbon is installed between the print head and the platen without wrinkles or creases.

4. Again turn the ribbon cassette's knob 2 or 3 times in the direction of the arrow, close the autocutter by using the tab, and close the printer cover.

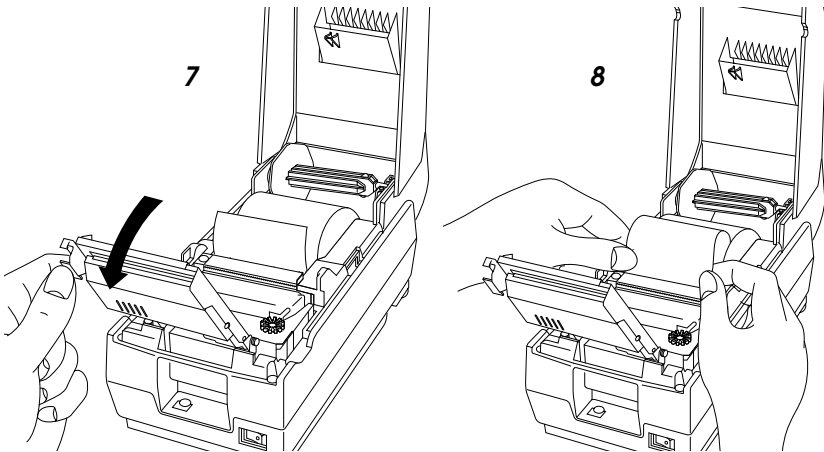
## Installing the Paper Roll

1. Using scissors, cut the leading edge of the paper roll as shown in illustration **4** on the next page.

- Turn on the printer, open the printer cover, and insert the paper roll as shown in illustration 5 below. Note the direction the paper comes off the roll, which is shown in illustration 6 below.



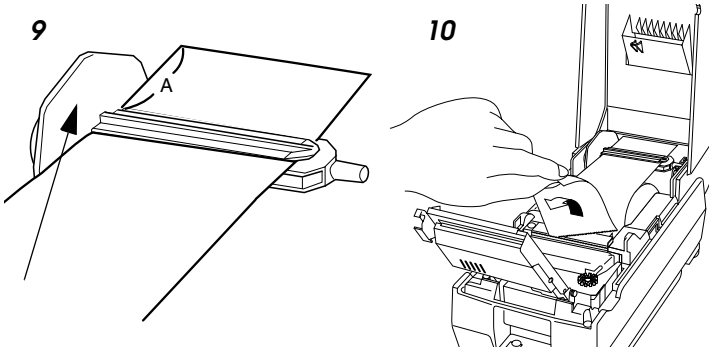
- Open the autocutter by pulling the tab up and toward you as shown in illustration 7.



- Hold both edges of the paper and insert it straight into the paper slot, as shown in illustration 8. The printer feeds the paper automatically.
- If you are not using a take-up spool, tear off the paper, close the autocutter, and close the printer cover. You can then skip steps 6 through 8.



- Type A only:** When using 2-ply roll paper, insert the end of the paper into the paper take-up spool as shown below. Be sure that length of dimension A is between 40 and 60 mm (1.58 and 2.36 inches) and the left side of the paper is aligned with the spool's flange, which is indicated by the arrow in illustration 9 below.
- Insert the journal take-up spool in the printer, as shown in illustration 10, and cut the receipt paper.



- Close the autocutter by using the tab. Be sure to check again that the left side of the paper is aligned with the spool's flange; then close the printer cover.

## **Troubleshooting**

### **No lights on the control panel**

Check the power supply cable connections and the power outlet.

### **ERROR light flashing with no printing (and no paper jam)**

Printing stops if the head overheats and resumes when it cools. Turn the printer off, and after 10 seconds, turn it back on.

### **Removing jammed paper**

Follow these steps to clear a paper jam:

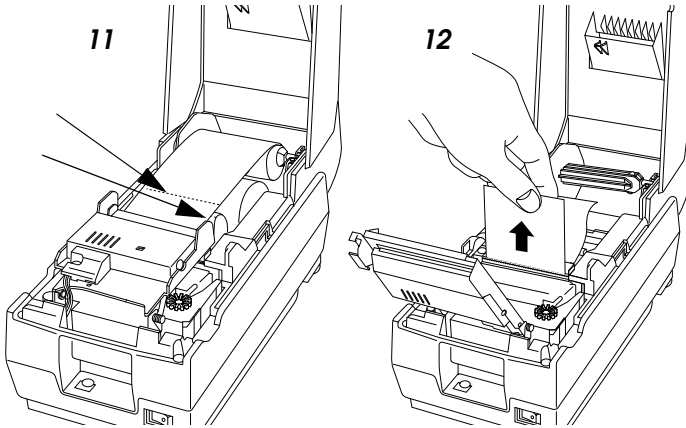


#### **CAUTION:**

*The print head becomes very hot during printing. Allow it to cool before you reach into the printer.*

- Open the printer cover.

- Cut the receipt paper (and journal paper if you have a **Type A** printer and are using two-ply paper) at the locations indicated by the arrows in illustration **11**.

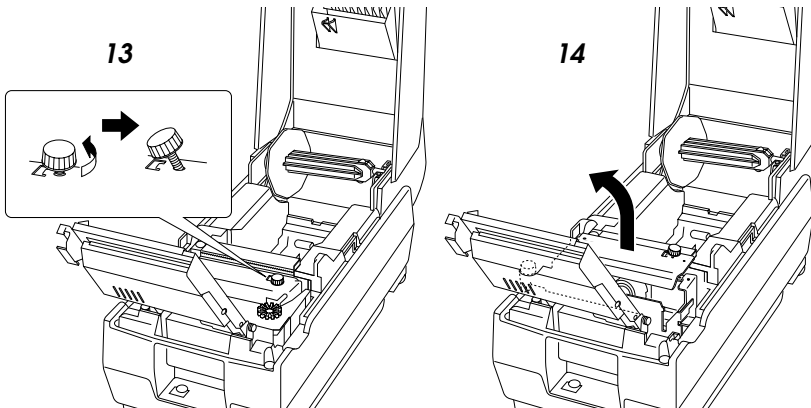


- Remove the paper roll from the printer and open the autocutter by pulling the tab up and toward you.
- Remove the jammed paper by pulling it in the direction of paper feeding as shown in illustration **12**.

**Note:**

*Do not pull the jammed paper in the opposite direction of paper feeding.*

- If paper still remains in the printer, follow the steps below.
- Remove the ribbon cassette.
- Loosen the screw securing the print head cover. Turn the screw until you can tilt it as shown in illustration **13**.



**Note:**

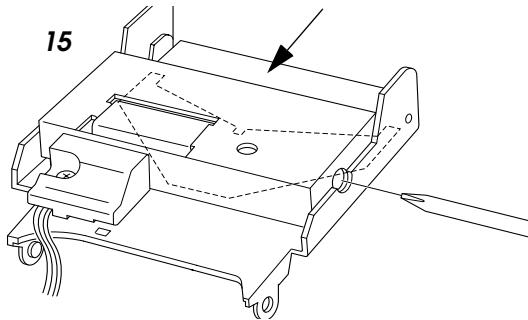
*Do not remove the screw from the print head cover.*

8. Lift up the print head cover as shown in illustration **14** on the previous page.
9. Remove all the jammed paper.

**Note:**

*Do not pull the jammed paper in the opposite direction of paper feeding.*

10. Replace the print head cover and secure it with the screw.
11. Replace the ribbon cassette and close the autocutter.
12. If the autocutter blade is not in its normal position (if you can see the blade in the autocutter slit, which is indicated by an arrow in illustration **15** below), the blade is not in the normal position), insert a screwdriver to the right side of the autocutter, and turn the gear inside to move the blade to the normal position.



13. Replace the paper roll and close the printer cover.

## Specifications: TM-U210 Models A, B, D

|                                      |  |
|--------------------------------------|--|
| <b>Printing method</b>               | Serial impact dot-matrix   |
| <b>Printing direction</b>            | Bidirectional logic seeking  |
| <b>Printing width</b>                | 63.34 mm {2.49"}, 400 dot positions  |
| <b>Characters per line (default)</b> | <b>7 × 9 Font:</b> 40, <b>9 × 9 Font:</b> 33, <b>16 × 16 Kanji:</b> 25,<br><b>7 × 27 Thai:</b> 40, <b>9 × 27 Thai:</b> 33  |
| <b>Character size</b>                | <b>7 × 9 Font ANK:</b> 1.2 × 3.1 mm Graphics: 1.7 × 3.1 mm (1.6 × 3.1 mm*)<br><b>9 × 9 Font ANK:</b> 1.6 × 3.1 mm Graphics: 2.0 × 3.1 mm (1.9 × 3.1 mm*)<br><b>16 × 16 Kanji:</b> 2.7 × 2.7 mm<br><b>7 × 27 Thai:</b> 1.2 × 9.5 mm<br><b>9 × 27 Thai:</b> 1.6 × 9.5 mm |
| <b>Number of characters</b>          | Alphanumeric characters: 95; International characters: 32<br>Graphics: 128 × 8 character tables<br>(Multilingual models have 11 character tables and support for one of the following: Japanese Kanji, Chinese Kanji, Taiwanese Kanji, or Thai characters)             |
| <b>Print speed</b>                   | Approx. 3.5 lps (40 column, 16 cpi); 6.4 lps (16 column, 16 cpi)<br>Not including data transfer and processing time.<br>Two color or red color printing reduces the speed.   |
| <b>Paper feed speed</b>              | Approx. 106 mm/s {approx. 4.17"/s} continuous paper feed   |
| <b>Line spacing (default)</b>        | 4.23 mm {1/6"}   |
| <b>Ribbon cassettes</b>              | ERC-38 (P) Purple Life: 4,000,000 characters<br>ERC-38 (B) Black Life: 3,000,000 characters<br>ERC-38 (B/R) Black/Red Life: Black 4,000,000/Red 750,000 characters<br>Life based on continuous printing at 25°C {77°F}   |
| <b>Paper roll width</b>              | 76 mm: ± 0.5 {3" ± 0.02}   |
| <b>Interface</b>                     | RS-232C or Bi-directional parallel   |
| <b>Receive buffer</b>                | 1 KB or 40 bytes (Multilingual: 512 KB or 40 bytes)  |
| <b>DKD Function</b>                  | 2 drives   |
| <b>Power supply</b>                  | +24 ~ +34 VDC  |
| <b>Current consumption</b>           | Operating: 43 W avg. (except drawer kick-out), Standby: 6 W avg.   |
| <b>Life</b>                          | Mechanism: 7,500,000 lines<br>Print head: 150 million characters<br>Autocutter: 800,000 cuts   |
| <b>MTBF</b>                          | 180,000 hours  |
| <b>MCBF</b>                          | 18,000,000 lines   |
| <b>Temperature</b>                   | Operating: 0 to 50°C {32 to 122°F}<br>Storage: -10 to 50° C {14 to 122° F}   |
| <b>Humidity</b>                      | Operating: 10 to 90% RH (no condensation)<br>Storage: 10 to 90% RH (no condensation)   |
| <b>Overall dimensions</b>            | <b>Type A</b> 160 × 160 × 295 mm {6.3 × 6.3 × 11.6"} (H × W × D)<br><b>Type B</b> 150 × 160 × 248 mm {5.9 × 6.3 × 9.8"} (H × W × D)<br><b>Type D</b> 133 × 160 × 248 mm {5.2 × 6.3 × 9.8"} (H × W × D)   |
| <b>Weight (mass)</b>                 | <b>Type A</b> 2.5 kg {5.5 lb}, <b>Type B</b> 2.5 kg {5.5 lb}, <b>Type D</b> 2.2 kg {4.85 lb}   |

\* indicates value with DIP switch 2-1 ON

ANK: Alphanumeric characters

lps: lines per second

# Serie TM-U210

## Bedienungsanleitung

### DIP-Schaltereinstellungen

Informationen zu den DIP-Schaltereinstellungen sind auf der vorderen Innenseite des Umschlags dieser Anleitung zu finden.

### Abbildungen

Dieses Handbuch ist in 7 Abschnitte unterteilt, einen pro Sprache. Die meisten Abbildungen sind im ersten Abschnitt zu finden und werden nicht wiederholt. Jeder Abschnitt enthält jedoch Seitenverweise auf die Abbildungen.

#### Druckerkomponenten

1. Typ A
2. Typ B und Zweifarbentyp D
3. Einzelfarbtyp D

Alle Rechte vorbehalten. Diese Veröffentlichung darf ohne ausdrückliche schriftliche Genehmigung der Seiko Epson Corporation nicht reproduziert, in einem Abrufsystem gespeichert oder in beliebiger Form und auf jedwede Weise übermittelt werden, weder durch Fotokopieren, Aufzeichnen, noch auf elektronische, mechanische oder sonstige Weise. Für die hierin enthaltenen Informationen wird keine Patenthaftung übernommen. Obgleich bei der Zusammenstellung dieser Anleitung mit Sorgfalt vorgegangen wurde, übernimmt die Seiko Epson Corporation keine Verantwortung für Fehler und Auslassungen. Zudem wird keine Haftung übernommen für Schäden, die aus der Verwendung der hierin enthaltenen Informationen entstehen.

Weder die Seiko Epson Corporation noch ihre Tochtergesellschaften sind dem Käufer dieses Produkts oder Drittparteien gegenüber für Schäden, Verluste, Kosten oder Ausgaben haftbar, die für den Käufer oder etwaige Drittparteien aufgrund von Unfall, Mißbrauch oder Zweckentfremdung dieses Produkts, nicht autorisierten Modifikationen, Reparaturen oder Produktumbauten sowie (mit Ausnahme USA) aufgrund des Versäumnisses anfallen, die Bedienungs- und Wartungsanleitungen der Seiko Epson Corporation genau einzuhalten.

Die Seiko Epson Corporation ist nicht haftbar für Schäden oder Probleme, die bei Verwendung von Optionen oder Verschleißteilen auftreten, die nicht als Original-Epson-Produkte oder von der Seiko Epson Corporation zugelassene Epson Produkte gelten.

EPSON und ESC/POS sind eingetragene Warenzeichen der Seiko Epson Corporation.

**HINWEIS:** Änderungen am Inhalt dieser Anleitung ohne Vorankündigung vorbehalten.

## Angewendete EMS- und Sicherheitsnormen

### Drucker

Produktname: TM-U210A/TM-U210B/TM-U210D  
 Modellname: M119A/M119B/M119D

Die folgenden Normen gelten nur für entsprechend gekennzeichnete Drucker. (EMC wurde mit dem zum Lieferumfang gehörenden Netzadapter und dem PS-170 getestet.)

Europa: CE-Zeichen  
 Sicherheit: EN 60950

Nordamerika: EMI: FCC/ICES-003 Klasse A  
 Sicherheit: UL 1950/CSA C22.2 No. 950

Japan: EMC: VCCI Klasse A

Ozeanien: EMC: AS/NZS 3548 Klasse B

Taiwan: EMC: Klasse B

### Netzadapter

Produktname: PA-6511/6513, PB-6509/6510  
 Modellname: M34PA, M34PB

Die folgenden Normen gelten nur für entsprechend gekennzeichnete Netzadapter. (Die EMC-Normen gelten für die gemeinsame Verwendung des Druckers und des Netzteils.)

Europa: CE-Zeichen  
 Sicherheit: EN 60950

Nordamerika: Sicherheit: UL 1950/CSA C22.2 No. 950

Japan: Sicherheit: Japanisches Gesetz für Elektrogeräte und Materialkontrolle

Ozeanien: Sicherheit: AS 3260

### WARNUNG

Die EMC-Normen für dieses Gerät werden ungültig, wenn ein nicht abgeschirmtes Drucker-Schnittstellenkabel an den Drucker angeschlossen wird. Bitte beachten Sie, dass durch Änderungen oder Modifikationen, die nicht ausdrücklich von der SEIKO EPSON Corporation genehmigt wurden, die Benutzung des Gerätes unter Umständen unzulässig wird.

### CE-Zeichen

Der Drucker entspricht den folgenden Vorschriften und Normen:

|                      |                   |
|----------------------|-------------------|
| Direktive 89/336/EEC | EN 55022 Klasse B |
|                      | EN 55024          |
|                      | IEC 61000-4-2     |
|                      | IEC 61000-4-3     |
|                      | IEC 61000-4-4     |
|                      | IEC 61000-4-5     |
|                      | IEC 61000-4-6     |
|                      | IEC 61000-4-11    |
| Direktive 90/384/EEC | EN 45501          |

### GERÄUSCHPEGEL

Gemäß der Dritten Verordnung zum Gerätesicherheitsgesetz (Maschinenlärminformations-Verordnung-3. GSGV) ist der arbeitsplatzbezogene Geräusch-Emissionswert kleiner als 70 dB(A) (basierend auf ISO 7779).

## Sicherheitshinweise

Dieser Abschnitt enthält wichtige Informationen für die sichere und effektive Verwendung dieses Produkts. Lesen Sie diesen Abschnitt sorgfältig durch und bewahren Sie ihn gut zugänglich auf.



### WARNUNG:

*Schalten Sie das Gerät sofort aus, wenn Sie Rauch bzw. ungewöhnliche Gerüche oder Geräusche bemerken. Wenn das Gerät weiter verwendet wird, kann dies zu einem Brand führen. Ziehen Sie den Netzstecker des Gerätes sofort aus der Netzsteckdose und benachrichtigen Sie Ihren Händler oder ein SEIKO EPSON Service Center.*

*Versuchen Sie niemals, dieses Produkt eigenständig zu reparieren. Unsachgemäße Reparaturarbeiten können gefährlich sein.*

Zerlegen oder modifizieren Sie dieses Produkt nicht. Unsachgemäße Arbeiten an diesem Produkt können zu Verletzungen oder einem Brand führen.

Stellen Sie sicher, dass Sie die für dieses Produkt geeignete Stromquelle verwenden. Anschluss an andere Stromquellen können zu einem Brand führen.

Vermeiden Sie das Eindringen von Fremdoobjekten in dieses Produkt. Das Eindringen von Fremdoobjekten kann zu einem Brand führen.

Wenn Wasser oder andere Flüssigkeiten in dieses Produkt eindringen, ziehen Sie sofort den Netzstecker heraus und benachrichtigen Sie einen Fachhändler oder Ihr SEIKO EPSON Service Center. Wenn das Gerät weiter verwendet wird, kann dies einen Brand verursachen.



### **VORSICHT:**

Schließen Sie Kabel nur auf die in diesem Handbuch beschriebene Weise an. Andere Kabelverbindungen können das Gerät beschädigen und einen Brand verursachen.

Stellen Sie dieses Gerät unbedingt auf einer festen, stabilen, horizontalen Fläche auf. Das Produkt kann beim Fallen beschädigt werden oder Verletzungen verursachen.

Verwenden Sie das Gerät nicht an Orten mit hohem Feuchtigkeits- oder Staubgehalt. Eine übermäßige Feuchtigkeits- oder Staubbentwicklung kann das Gerät beschädigen oder einen Brand verursachen.

Stellen Sie keine schweren Gegenstände auf dieses Produkt. Stellen Sie sich nie auf das Produkt und lehnen Sie sich nicht dagegen. Das Gerät kann fallen oder beschädigt werden und dabei Gegenstände beschädigen oder Personen verletzen.

Aus Sicherheitsgründen ziehen Sie bitte den Netzstecker aus der Netzsteckdose wenn Sie beabsichtigen, das Gerät über einen längeren Zeitraum nicht zu verwenden.

## **Warnschilder**



### **WARNUNG:**

Keine Telefonleitung an den Anschluss der Kassenschublade anschließen. Andernfalls besteht Gefahr, dass der Drucker und die Telefonleitung beschädigt werden.



### **VORSICHT:**

Der Druckkopf ist heiß.

## Charakteristiken der Druckertypen

|                                 | Typ A                             | Typ B                             | Typ D                             |
|---------------------------------|-----------------------------------|-----------------------------------|-----------------------------------|
| Zweifarbendruck                 | Ja                                | Ja                                | Einfarb- oder Zweifarbendruck     |
| Automatischer Papierabschneider | Ja                                | Ja                                | Nein                              |
| Aufwickelvorrichtung            | Ja                                | Nein                              | Nein                              |
| Schnittstelle                   | Seriell oder parallel             | Seriell oder parallel             | Seriell oder parallel             |
| Unterstützte Zeichen            | Alphanumerisch oder mehrsprachig* | Alphanumerisch oder mehrsprachig* | Alphanumerisch oder mehrsprachig* |

\* Mehrsprachige Modelle können alphanumerische Zeichen und eine der folgenden Schriften drucken: Japanisch-Kanji, Chinesisch-Kanji, Taiwanesisch-Kanji oder Thai-Schriftzeichen.

Da Drucker des **Typs D** nicht mit einem automatischen Papierabschneider ausgestattet sind, überspringen Sie bitte die Anweisungen zu automatischen Papierabschneidern, wenn Sie mit einem Drucker des **Typs D** arbeiten.

### Abbildungen

Da in dieser Anleitung drei Typen des TM-U210 abgehandelt werden, weichen unter Umständen einige Abbildungen von Ihrem Drucker ab. Die Anweisungen gelten jedoch unter Berücksichtigung der genannten Ausnahmen für sämtliche Typen.

### Auspacken

Je nach den technischen Daten Ihres Druckermodells sind unterschiedliche Komponenten im Lieferumfang enthalten. Falls eine der Komponenten beschädigt ist, setzen Sie sich bitte mit dem Fachhändler in Verbindung.

- |   |   |
|---|---|
| <input type="checkbox"/> Drucker                | <input type="checkbox"/> Papierrolle      |
| <input type="checkbox"/> Netzschalterabdeckung  | <input type="checkbox"/> Farbbandkassette |
| <input type="checkbox"/> Journal-Aufwickelspule | <input type="checkbox"/> Netzadapter      |

### Bedienfeld

#### Papiervorschubtaste (FEED)

Schiebt Papier vor.



**Fehleranzeige (ERROR LED)**

Dieses Lämpchen leuchtet, wenn am Gerät ein Fehler aufgetreten ist.

**Betriebsanzeige (POWER LED)**

Die Betriebsanzeige (POWER) leuchtet, wenn der Drucker eingeschaltet ist.

**Papieranzeige (PAPER OUT LED)**

Weist darauf hin, dass das Papier zu Ende geht bzw. gegangen ist. Wenn das Lämpchen blinkt, befindet sich das Gerät im Bereitschaftsmodus (Standby).

---

**Verwenden der Netzschalterabdeckung****WARNUNG:**

*Wenn bei angebrachter Netzschalterabdeckung ein Unfall auftritt, sofort den Netzstecker ziehen. Bei Weiterverwendung des Geräts besteht Feuer- und Stromschlaggefahr.*

Die beiliegende Netzschalterabdeckung verhindert, dass der Netzschalter versehentlich gedrückt wird. Soll diese Abdeckung verwendet werden, gehen Sie bei der Installation gemäß Abbildung 1 auf Seite 4 vor.

---

**Installation der Farbbandkassette****VORSICHT:**

*Drehen Sie den Spannkopf der Farbbandkassette nie gegen die auf der Kassette angezeigte Pfeilrichtung, da sonst Gefahr besteht, dass die Farbbandkassette beschädigt wird.*

**Hinweis:**

*Verwenden Sie für Ihren Drucker die EPSON ERC-38 Farbbandkassette.*

1. Öffnen Sie die Druckerabdeckung und drehen Sie den Knopf, wie in Abbildung 2 auf Seite 5 zu sehen, zwei- bis dreimal in Pfeilrichtung.
2. Öffnen Sie den automatischen Papierabschneider, indem Sie die grüne Lasche nach oben zu sich hin ziehen.
3. Setzen Sie das Farbband an der in Abbildung 3 auf Seite 5 dargestellten Position ein, und drücken Sie die Farbbandkassette nach unten, bis sie einrastet.

**Hinweis:**

Achten Sie darauf, dass das Farbband glatt und faltenlos zwischen dem Druckkopf und der Andruckplatte liegt.

4. Drehen Sie den Knopf der Farbbandkassette erneut zwei- bis dreimal in Pfeilrichtung, schließen Sie den automatischen Papierabschneider, so dass die grüne Lasche einrastet und schliessen Sie die Druckerabdeckung.

---

**Einlegen der Papierrolle**

1. Schneiden Sie das vordere Ende der Papierrolle, wie in Abbildung **4** auf Seite 6 gezeigt, mit einer Schere ab.
2. Schalten Sie den Drucker ein, öffnen Sie die Druckerabdeckung und legen Sie die Papierrolle, wie in Abbildung **5** auf Seite 6 dargestellt, ein. In Abbildung **6** auf Seite 6 ist zu sehen, in welcher Richtung das Papier von der Rolle abgewickelt wird.
3. Öffnen Sie den automatischen Papierabschneider, indem Sie die Lasche, wie in Abbildung **7** auf Seite 6 zu sehen, nach oben und zu sich hin ziehen.
4. Halten Sie das Papier an den beiden Seitenkanten fest und schieben Sie es gemäß Abbildung **8** auf Seite 6 gerade in den Papierschlitz ein. Der Drucker schiebt das Papier automatisch vor.
5. Wenn Sie keine Aufwickelspule verwenden, reißen Sie das Papier über die Abreisskante ab und schließen den automatischen Papierabschneider sowie die Druckerabdeckung. In diesem Fall können Sie die Schritte 6 bis 8 überspringen.
6. **Nur Typ A:** Wenn Sie zweilagiges Rollenpapier verwenden, führen Sie die Vorderkante des Journal-Papiers wie unten gezeigt in die Aufnahmespule ein. Achten Sie darauf, dass die Länge von Abmessung A zwischen 40 und 60 mm beträgt und dass die linke Papierkante, wie durch den Pfeil in Abbildung **9** auf Seite 7 angezeigt, am Spulenflansch ausgerichtet ist.
7. Setzen Sie die Journal-Aufwickelspule gemäß Abbildung **10** auf Seite 7 in den Drucker ein, und reißen Sie das Quittungspapier über die Abreisskante ab.
8. Schließen Sie den automatischen Papierabschneider. Stellen Sie erneut sicher, dass die linke Papierkante am Spulenflansch ausgerichtet ist; dann schließen Sie die Druckerabdeckung.

## Fehlersuche

### Auf dem Bedienfeld leuchten keine Lämpchen

Kabelverbindungen und Netzanschluss prüfen.

### Die Fehleranzeige (ERROR) blinkt und das Gerät druckt nicht (und es besteht kein Papierstau)

Der Druckvorgang wird unterbrochen, wenn der Druckkopf zu heiß wird, und wird nach dem Abkühlen des Druckkopfes wieder fortgesetzt. Schalten Sie den Drucker aus und nach 10 Sekunden wieder ein.

### **Entfernen eines Papierstaus**

Beheben Sie Papierstau wie folgt:



**VORSICHT:**

*Der Druckkopf wird beim Drucken sehr heiß. Lassen Sie ihn abkühlen, ehe Sie in den Drucker greifen.*

1. Öffnen Sie die Druckerabdeckung.
2. Schneiden Sie das Quittungspapier (und das Journalpapier, falls Sie einen Drucker des **Typs A** haben und zweilagiges Papier verwenden) an den Stellen ab, die durch die Pfeile in Abbildung **11** auf Seite 8 dargestellt sind.
3. Nehmen Sie die Papierrolle aus dem Drucker und öffnen Sie den automatischen Papierabschneider, indem Sie die grüne Lasche nach oben und zu sich hin ziehen.
4. Entfernen Sie den Papierstau, indem Sie das Papier, wie in Abbildung **12** auf Seite 8 dargestellt, in die Papiervorschubrichtung ziehen.

**Hinweis:**

*Ziehen Sie das eingeklemmte Papier nur in Richtung Papiervorschub und nicht in die entgegengesetzte Richtung.*

5. Wenn weiterhin Papier im Drucker verblieben ist, gehen Sie wie folgt vor.
6. Entfernen Sie die Farbbandkassette.
7. Lösen Sie die Schraube, die die Druckkopfabdeckung festhält. Drehen Sie die Schraube, bis sie, wie in Abbildung **13** auf Seite 8 zu sehen, schräggestellt werden kann.

**Hinweis:**

*Entfernen Sie die Schraube nicht aus der Druckkopfabdeckung.*

8. Heben Sie die Druckkopfabdeckung wie in Abbildung **14** auf Seite 8 dargestellt an und legen sie beiseite.
9. Nehmen Sie das restliche eingeklemmte Papier heraus.

**Hinweis:**

*Ziehen Sie das eingeklemmte Papier nur in Richtung Papiervorschub und nicht in die entgegengesetzte Richtung.*

10. Bringen Sie die Druckkopfabdeckung wieder an und befestigen Sie diese mit der Schraube.
11. Setzen Sie die Farbbandkassette ein und schließen Sie den automatischen Papierabschneider.
12. Wenn sich der automatische Papierabschneider nicht in Normalposition befindet (d.h. wenn Sie das Messer im Schlitz des automatischen Papierabschneiders gemäß des Pfeils in Abbildung **15** auf Seite 9 sehen können), stecken Sie einen Schraubenzieher in die rechte Seite des automatischen Papierabschneiders, und drehen Sie das Zahnrad im Innern, damit die Klinge wieder auf Normalposition zurückkehrt und nicht mehr im Schlitz sichtbar ist.
13. Setzen Sie die Papierrolle ein und schließen Sie die Druckerabdeckung.

## Technische Daten: TM-U210 Modelle A, B, D

|   |  |
|---|--|
| <b>Druckmethode</b>                     | Serieller Punktmatrix-Nadeldruck   |
| <b>Druckrichtung</b>                    | Bidirektional  |
| <b>Druckbreite</b>                      | 63,34 mm {2,49 Zoll}, 400 Punktpositionen  |
| <b>Zeichen pro Zeile (Werksvorgabe)</b> | <b>7 × 9 Font:</b> 40, <b>9 × 9 Font:</b> 33, <b>16 × 16 Kanji:</b> 25,<br><b>7 × 27 Thai:</b> 40, <b>9 × 27 Thai:</b> 33  |
| <b>Zeichengröße</b>                     | <b>7 × 9 Font ANK:</b> 1,2 × 3,1 mm<br>Grafikzeichen: 1,7 × 3,1 mm (1,6 × 3,1 mm*)<br><b>9 × 9 Font ANK:</b> 1,6 × 3,1 mm<br>Grafikzeichen: 2,0 × 3,1 mm (1,9 × 3,1 mm*)<br><b>16 × 16 Kanji:</b> 2,7 × 2,7 mm<br><b>7 × 27 Thai:</b> 1,2 × 9,5 mm<br><b>9 × 27 Thai:</b> 1,6 × 9,5 mm |
| <b>Anzahl der Zeichen</b>               | Alphanumerische Zeichen: 95; internationale Zeichen: 32<br>Grafikzeichen: 128 × 8 Zeichentabellen<br>(Mehrsprachige Modelle haben 11 Zeichentabellen und unterstützen eine der folgenden Schriften: Japanisch-Kanji, Chinesisch-Kanji, Taiwanesisch-Kanji oder Thai-Schriftzeichen)    |
| <b>Druckgeschwindigkeit</b>             | Ca. 3,5 ips (40 Spalten, 16 cpi); 6,4 ips (16 Spalten, 16 cpi)<br>Datenübertragungs- und -verarbeitungszeiten sind nicht inklusive.<br>Geschwindigkeitsverringerung bei Zweifarb- oder Rotdruck.   |
| <b>Papiervorschubgeschwindigkeit</b>    | Ca. 106 mm/sec kontinuierliche Papierzufuhr  |
| <b>Zeilenabstand (Werksvorgabe)</b>     | 4,23 mm  |
| <b>Farbbandkassetten</b>                | ERC-38 (P) Lebensdauer, violett: 4 Millionen Zeichen<br>ERC-38 (B) Lebensdauer, schwarz: 3 Millionen Zeichen<br>ERC-38 (B/R) Lebensdauer, schwarz/rot: schwarz 4 Millionen/rot 750.000 Zeichen; Lebensdauer für kontinuierliches Drucken bei 25 °C                                     |
| <b>Papierrollenbreite</b>               | 76 mm: ± 0,5   |
| <b>Schnittstelle</b>                    | RS-232C oder bidirektional, parallel   |
| <b>Eingangspuffer</b>                   | 1 KB oder 40 Bytes (mehrsprachig: 512 KB oder 40 Bytes)  |
| <b>DKD-Funktion</b>                     | für 2 Kassenschubladen   |
| <b>Netzteil</b>                         | +24 ~ +34 V Gleichspannung   |
| <b>Leistungsaufnahme</b>                | In Betrieb: ca. 43 W (ausgenommen Anschluss der Kassenschublade) Standby: ca. 6 W  |
| <b>Lebensdauer</b>                      | Mechanismus: 7,5 Millionen Zeilen<br>Druckkopf: 150 Millionen Zeichen<br>Automatischer Papierschneider: 800.000 Schnitte   |
| <b>MTBF</b>                             | 180.000 Stunden  |
| <b>MCCBF</b>                            | 18 Millionen Zeilen  |
| <b>Temperatur</b>                       | In Betrieb: 0° bis 50 °C<br>Lagerung: -10° bis 50 °C   |
| <b>Relative Luftfeuchtigkeit</b>        | In Betrieb: 10 % bis 90 % (kondensationsfrei)<br>Lagerung: 10 % bis 90 % (kondensationsfrei)   |
| <b>Gesamtabmessungen</b>                | <b>Typ A</b> 160 × 160 × 295 mm (H × B × T)<br><b>Typ B</b> 150 × 160 × 248 mm (H × B × T)<br><b>Typ D</b> 133 × 160 × 248 mm (H × B × T)  |
| <b>Gewicht (Masse)</b>                  | <b>Typ A</b> 2,5 kg, <b>Typ B</b> 2,5 kg, <b>Typ D</b> 2,2 kg  |

\* Wert bei DIP-Schaltereinstellung 2-1 EIN (ON)

ANK: Alphanumerische Zeichen, ips: Zeilen pro Sekunde



# Serie TM-U210

## Gebruikershandleiding

### DIP-switches

Zie binnenkant vooromslag van deze handleiding voor informatie over instelling van de DIP-switches.

### Illustraties

Deze handleiding is verdeeld in 7 delen, een voor elke taal. De illustraties bevinden zich in het eerste gedeelte en worden niet herhaald. Echter de pagina referenties in de andere delen verwijzen naar de illustraties in het eerste deel.

#### Onderdelen van de printer

1. Type A
2. Type B en tweekleurentype D
3. Eenkleurentype D

Alle rechten voorbehouden. Niets uit deze uitgave mag worden veeelvoudigd, opgeslagen in een geautomatiseerd gegevensbestand of openbaar worden gemaakt in enige vorm of op enige wijze, hetzij elektronisch, mechanisch, door fotokopiëren, opnamen of enige andere manier, zonder voorafgaande schriftelijke toestemming van Seiko Epson Corporation. Er wordt geen aansprakelijkheid voor octrooien aanvaard in verband met gebruik van de informatie in deze uitgave. Hoewel bij het samenstellen van deze uitgave de grootste zorgvuldigheid is betracht, aanvaardt Seiko Epson Corporation geen aansprakelijkheid voor fouten of omissies. Noch wordt aansprakelijkheid aanvaard voor schade die voortvloeit uit gebruik van de informatie in deze uitgave.

Noch Seiko Epson Corporation noch een van haar dochterondernemingen kan aansprakelijk worden gesteld door de koper of door derden voor schade, verliezen of kosten die door de koper of derden zijn gemaakt als gevolg van ongelukken, onjuist gebruik of misbruik van dit product of door onbevoegden uitgevoerde modificaties, reparaties of wijzigingen van dit product of (tevens in de VS) het niet in acht nemen van de aanwijzingen voor gebruik en onderhoud van Seiko Epson Corporation.

Seiko Epson Corporation is niet aansprakelijk voor schade of problemen die voortvloeien uit gebruik van andere optionele producten of verbruiksgoederen dan die welke door Seiko Epson Corporation zijn aangemerkt als "originale Epson-producten" of als "door Epson goedgekeurde producten".

EPSON en ESC/POS zijn gedeponeerde handelsmerken van Seiko Epson Corporation.

BEKENDMAKING: Wijzigingen in de inhoud van deze handleiding onder voorbehoud.

Copyright © 2001 by Seiko Epson Corporation, Nagano, Japan.

---

## **Normen voor elektromagnetische compatibiliteit en veiligheid**

### **Printer**

Naam product: TM-U210A/TM-U210B/TM-U210D  
Naam model: M119A/M119B/M119D

De volgende normen gelden alleen voor printers die van de desbetreffende aanduiding zijn voorzien. (EMC getest met meegeleverde netspanningsadapter en PS-170.)

Europa: CE-keur  
Veiligheid: EN 60950

Noord-Amerika: EMI: FCC/ICES-003 klasse A  
Veiligheid: UL 1950/CSA C22.2  
No. 950

Japan: EMC: VCCI klasse A

Oceanië: EMC: AS/NZS 3548 klasse B

Taiwan: EMC: klasse B

### **Netspanningsadapter**

Naam product: PA-6511/6513, PB-6509/6510  
Naam model: M34PA, M34PB

De volgende normen gelden alleen voor netspanningsadapters die van de desbetreffende aanduiding zijn voorzien. (De normen voor EMC gelden voor de combinatie van printer en netspanningsadapter.)

Europa: CE-keur  
Veiligheid: EN 60950

Noord-Amerika: Veiligheid: UL 1950/CSA C22.2  
No. 950

Japan: Veiligheid: Electrical Appliance and  
Material Control Law of  
Japan

Oceanië: Veiligheid: AS 3260

### **WAARSCHUWING**

Aansluiten van een niet-afgeschermde printerkabel op deze printer maakt de EMC-normen voor dit apparaat ongeldig. U wordt erop gewezen dat wijzigingen of aanpassingen die niet uitdrukkelijk door SEIKO EPSON Corporation zijn goedgekeurd, u het recht op gebruik van de apparatuur kunnen ontnemen.

### **CE-keurmerk**

De printer voldoet aan de volgende richtlijnen en normen:

|                      |  |
|----------------------|--|
| Richtlijn 89/336/EEC | EN 55022 klasse B<br>EN 55024<br>IEC 61000-4-2<br>IEC 61000-4-3<br>IEC 61000-4-4<br>IEC 61000-4-5<br>IEC 61000-4-6<br>IEC 61000-4-11 |
| Richtlijn 90/384/EEC | EN 45501   |

---

## **Veiligheidsmaatregelen**

Dit gedeelte bevat belangrijke informatie voor veilig en effectief gebruik van dit product. Lees dit gedeelte aandachtig door en bewaar het op een goed toegankelijke plaats.



### **WAARSCHUWING:**

*Het apparaat onmiddellijk uitschakelen wanneer het rook, een vreemde geur of ongebruikelijk geluid afgeeft. Doorgaan met gebruik kan leiden tot brand of elektrische schokken. De stekker onmiddellijk uit het stopcontact trekken en contact opnemen met de leverancier of een servicecentrum van SEIKO EPSON voor advies.*

*Probeer niet zelf het product te repareren. Onjuist uitgevoerde reparaties kunnen gevaar veroorzaken.*



*Dit product niet demonteren of wijzigen. Wijzigen van dit product kan letsel of brand veroorzaken.*

*Ervoor zorgen dat u de juiste voedingsbron gebruikt. Aansluiten op een onjuiste voedingsbron kan brand veroorzaken.*

*Voorkomen dat er voorwerpen in het apparaat vallen. Binnendringen van vreemde voorwerpen kan brand veroorzaken.*

*Als er water of andere vloeistoffen in het apparaat terecht komt, de stekker onmiddellijk uit het stopcontact trekken en contact opnemen met de leverancier of een SEIKO EPSON servicecentrum voor advies. Doorgaan met gebruik kan leiden tot brand.*



### **LET OP:**

*De kabels niet op een andere wijze aansluiten dan als vermeld in deze handleiding. Een andere wijze van aansluiting kan apparatuurschade of brand veroorzaken.*

*Dit apparaat moet op een stevige, stabiele en horizontale ondergrond geplaatst worden. Het product kan beschadigd raken of ongelukken veroorzaken als het valt.*

*Niet gebruiken op plaatsen met een hoge vochtigheidsgraad of veel stof. Overmatig vocht en/of stof kan apparatuurschade of brand tot gevolg hebben.*

*Geen zware voorwerpen boven op dit product plaatsen. Nooit op dit product gaan staan of leunen. De apparatuur kan defect raken of in elkaar klappen, wat breuk en eventueel letsel kan veroorzaken.*

*Om ongelukken te voorkomen altijd de stekker van dit product uit het stopcontact trekken als u het langere tijd niet gebruikt.*

---

## **Waarschuwingsetiketten**



### **WAARSCHUWING:**

*Geen telefoonlijn aansluiten op de connector van de kassalade aansturing; dat kan de telefoonlijn en de printer beschadigen.*



### **LET OP:**

*De printkop wordt heet.*

---

## Kenmerken van de printertypen

|                            | <i>Type A</i>              | <i>Type B</i>              | <i>Type D</i>              |
|----------------------------|----------------------------|----------------------------|----------------------------|
| Tweekleurendruk            | Ja                         | Ja                         | Een of twee kleuren        |
| Automatische papiersnijder | Ja                         | Ja                         | Nee                        |
| Wikkelspoel                | Ja                         | Nee                        | Nee                        |
| Interface                  | Serieel of parallel        | Serieel of parallel        | Serieel of parallel        |
| Ondersteunde tekens        | Alfanumeriek of meertalig* | Alfanumeriek of meertalig* | Alfanumeriek of meertalig* |

\* Meertalige modellen kunnen naast alfanumerieke tekens tevens de volgende tekens afdrukken: Japanse karakters, Chinese karakters, Taiwanese karakters of Thai.

Omdat de printers van **type D** geen automatische papiersnijder hebben, kunt u de aanwijzingen over de automatische papiersnijder overslaan als u een printer van **type D** gebruikt.

### Illustraties

Omdat deze handleiding dient voor drie verschillende typen van de TM-U210, zullen sommige illustraties iets afwijken van uw printer. Deze aanwijzingen gelden echter voor alle typen printers, tenzij anders vermeld.

---

### Uitpakken

Afhankelijk van de specificaties van uw model wordt de printer geleverd met de volgende onderdelen. Neem contact op met de leverancier als er onderdelen beschadigd zijn.

- |  |  |
|--|--|
| <input type="checkbox"/> Printer                 | <input type="checkbox"/> Papierrol           |
| <input type="checkbox"/> Deksel voor aan/uitknop | <input type="checkbox"/> Lintcassette        |
| <input type="checkbox"/> Wikkelspoel             | <input type="checkbox"/> Netspanningsadapter |

---

### Bedieningspaneel

#### FEED-knop

Deze knop voert het papier in.

#### ERROR-lampje

Geeft aan dat er een fout is.

**POWER-lampje**

Het POWER-lampje brandt wanneer de printer aan staat.

**PAPER OUT-lampje**

Geeft aan dat het papier bijna of helemaal op is. Knipperen geeft de stand-by modus aan.

**Gebruik van het deksel voor de aan/uitknop****WAARSCHUWING:**

*Als er zich een ongeluk voordoet terwijl het deksel van de aan/uitknop is aangebracht, moet u onmiddellijk het voedingssnoer uit het stopcontact trekken. Verder gebruik kan brand of elektrische schokken veroorzaken.*

U kunt het meegeleverde deksel voor de aan/uitknop gebruiken om te voorkomen dat er per ongeluk op de knop wordt gedrukt. Gebruik het deksel door het te installeren zoals getoond in afbeelding 1 op pagina 4.

**Installeren van de lintcassette****LET OP:**

*Draai de toevoerknop van de lintcassette nooit in tegenovergestelde richting van het pijltje op de cassette; dat kan de cassette beschadigen.*

**NB:**

*Gebruik EPSON lintcassette ERC-38 voor uw printer.*

1. Open het printerdeksel en draai de knop twee of drie keer in de richting van het pijltje (zie afb. 2 op pagina 5).
2. Open de automatische papiersnijder door de lip omhoog en naar u toe te trekken.
3. Plaats het lint zoals afgebeeld in afbeelding 3 op pagina 5 en druk de linkcassette aan totdat hij op zijn plaats klikt.

**NB:**

*Controleer of het lint tussen de printkop en de plaat loopt zonder vouwen of kreukels.*

4. Draai de toevoerknop van de lintcassette nogmaals twee à drie keer in de richting van het pijltje, sluit de automatische papiersnijder met de lip en sluit het printerdeksel.

---

## **Installeren van de papierrol**

1. Knip de voorrand van de papierrol met een schaar bij (zie afb. **4** op pagina 6).
2. Zet de printer aan, open het printerdeksel en plaats de papierrol (zie afb. **5** op p. 6). Let op de richting waarin het papier van de rol komt (zie afb. **6** op pagina 6).
3. Open de automatische papiersnijder door de lip omhoog en naar u toe te trekken (zie afb. **7** op pagina 6).
4. Houd beide randen van het papier vast en steek het recht in de papiergleuf (zie afb. **8** op pagina 6). Het papier wordt automatisch in de printer getrokken.
5. Als u geen wikkelspoel gebruikt, scheurt u het papier af en sluit u de automatische papiersnijder en het printerdeksel. U kunt stap 6–8 in dat geval overslaan.
6. **Alleen type A:** Bij gebruik van rolpapier met twee lagen steekt u het uiteinde van het papier in de wikkelspoel zoals hieronder afgebeeld. Afstand A behoort 40–60 mm te bedragen en de linkerkant van het papier dient in lijn te staan met de flens van de spoel zoals aangeduid door een pijltje in afb. **9** op pagina 7.
7. Plaats de wikkelspoel in de printer (zie afb. **10** op pagina 7) en knip het kassabonpapier af.
8. Sluit de automatische papiersnijder met de lip. Controleer nogmaals of de linkerkant van het papier tegen de flens van de spoel ligt en sluit vervolgens het printerdeksel.

---

## **Probleemoplossing**

---

### **Lichtjes op het bedieningspaneel branden niet.**

---

Inspecteer de aansluiting van de voedingskabels en het stopcontact.

---

### **ERROR-lampje knippert en er wordt niets afgedrukt (en er is geen papier vastgelopen).**

---

Het drukken stopt als de printkop oververhit raakt en wordt weer hervat nadat de kop is afgekoeld. Zet de printer uit, wacht tien seconden en zet hem vervolgens weer aan.

## **Verwijderen van vastgelopen papier**

Volg de onderstaande stappen om vastgelopen papier te verwijderen.

**LET OP:**

*Tijdens het afdrucken wordt de printkop zeer heet. Wacht totdat de printkop is afgekoeld voordat u in de printer reikt.*

1. Open het printerdeksel.
2. Knip het kassabonpapier (en het kopiepapier bij gebruik van een printer van **type A** en van dubbel papier) af op de plaatsen zoals aangeduid door de pijltjes in afb. **11** op pagina 8.
3. Haal de papierrol uit de printer en open de papiersnijder door de lip omhoog en naar u toe te trekken.
4. Verwijder het vastgelopen papier door het in de richting van de papiertoevoer te trekken (zie afb. **12** op pagina 8).

**NB:**

*Trek het vastgelopen papier niet uit in tegenovergestelde richting van de papiertoevoer.*

5. Als er nog steeds papier in de printer zit, volgt u onderstaande stappen.
6. Verwijder de lintcassette.
7. Draai de bevestigingsschroef van de printkopkap los. Draai aan de schroef totdat u hem kunt bewegen zoals afgebeeld in afbeelding **13** op pagina 8.

**NB:**

*Verwijder de bevestigingsschroef van de printkopkap niet.*

8. Open de printkopkap (zie afb. **14** op pagina 8).
9. Verwijder al het vastgelopen papier.

**NB:**

*Trek het vastgelopen papier niet uit in tegenovergestelde richting van de papiertoevoer.*

10. Sluit de printkopkap weer en zet hem met de schroef vast.
11. Installeer de lintcassette op zijn plaats en sluit de automatische papiersnijder.
12. Als het mes van de papiersnijder niet op de normale plaats zit (als u het mes kunt zien in de gleuf van de papiersnijder [zie pijltje in afb. **15** op pagina 9] bevindt het zich niet op de normale plaats), steekt u een schroevendraaier rechts van de papiersnijder in en draait u aan de tandwielen om het mes op de normale positie te zetten.
13. Installeer de papierrol weer op zijn plaats en sluit het printerdeksel.

*Specificaties: TM-U210, model A, B, D*

|                                     |   |
|-------------------------------------|---|
| <b>Afdrukmethode</b>                | Seriële impact dotmatrix  |
| <b>Afdrukrichting</b>               | Bidirectioneel, logicazoekend   |
| <b>Afdrukbreedte</b>                | 63,34 mm, 400 dotposities   |
| <b>Tekens per regel (standaard)</b> | <b>7 × 9 lettertype:</b> 40, <b>9 × 9 lettertype:</b> 33, <b>16 × 16 karakters:</b> 25,<br><b>7 × 27 Thai:</b> 40, <b>9 × 27 Thai:</b> 33   |
| <b>Tekengrootte</b>                 | <b>7 × 9 lettertype</b> ANT: 1,2 × 3,1 mm<br>grafische afbeeldingen: 1,7 × 3,1 mm (1,6 × 3,1 mm*)<br><b>9 × 9 lettertype</b> ANT: 1,6 × 3,1 mm<br>grafische afbeeldingen: 2,0 × 3,1 mm (1,9 × 3,1 mm*)<br><b>16 × 16 karakters:</b> 2,7 × 2,7 mm;<br><b>7 × 27 Thai:</b> 1,2 × 9,5 mm;<br><b>9 × 27 Thai:</b> 1,6 × 9,5 mm; |
| <b>Aantal tekens</b>                | Alfanumerieke tekens: 95; internationale tekens: 32 grafische afbeeldingen: 128 × 8 tekentabellen (Meertalige modellen hebben 11 tekentabellen en ondersteunen een van volgende lettertypen: Japanse karakters, Chinese karakters, Taiwanese karakters of Thai.   |
| <b>Afdruksnelheid</b>               | Ong. 3,5 r/s (40 kolommen, 16 cpi); 6,4 r/s (16 kolommen, 16 cpi)<br>Tijd voor datatransfer en verwerking niet inbegrepen.<br>Afdrukken in twee kleuren of in rood kan de afdruksnelheid verlagen.  |
| <b>Toevoersnelheid papier</b>       | Ong. 106 mm/s constante papieroever   |
| <b>Regelafstand (standaard)</b>     | 4,23 mm   |
| <b>Lintcassettes</b>                | Levensduur ERC-38 (P) paars: 4 000 000 tekens<br>Levensduur ERC-38 (B) zwart: 3 000 000 tekens<br>Levensduur ERC-38 (B/R) zwart/rood: 4 000 000 tekens zwart en 750 000 tekens rood bij constant printen bij 25 °C  |
| <b>Breedte papierrol</b>            | 76 mm: ± 0,5  |
| <b>Interface</b>                    | RS-232C of bidirectioneel parallel  |
| <b>Ontvangstbuffer</b>              | 1 kB/40 bytes (meertalig: 512 kB of 40 bytes)   |
| <b>DKD-functie</b>                  | 2 drives  |
| <b>Voeding</b>                      | +24 ~ +34 V DC  |
| <b>Stroomverbruik</b>               | Bedrijf: ong. 43 W (m.u.v. lade-uitstoter) Stand-by: ong. 6 W   |
| <b>Levensduur</b>                   | Mechaniek: 7 500 000 regels<br>Printkop: 150 miljoen tekens<br>Automatische papersnijder: 800 000 sneden  |
| <b>MTBF</b>                         | 180 000 uur   |
| <b>MCBF</b>                         | 18 000 000 regels   |
| <b>Temperatuur</b>                  | Bedrijf: 0 tot 50 °C<br>Opslag: -10 tot 50 °C   |
| <b>Vochtigheid</b>                  | Bedrijf: 10-90 % relatieve vochtigheidsgraad, zonder condensatie<br>Opslag: 10-90 % relatieve vochtigheidsgraad, zonder condensatie   |
| <b>Afmetingen</b>                   | <b>Type A</b> 160 × 160 × 295 mm (H × B × D)<br><b>Type B</b> 150 × 160 × 248 mm (H × B × D)<br><b>Type D</b> 133 × 160 × 248 mm (H × B × D)  |
| <b>Gewicht (massa)</b>              | <b>Type A</b> 2,5 kg, <b>Type B</b> 2,5 kg, <b>Type D</b> 2,2 kg  |

\* waarde met DIP-switch 2-1 op AAN

ANT: Alfanumerieke tekens

r/s: regels per seconde

# Gamme TM-U210

## Manuel d'utilisation

### Micro-interrupteurs (DIP)

Pour tous renseignements sur le réglage des micro-interrupteurs (DIP), voir l'intérieur de la couverture de ce manuel.

### Illustrations

Le présent manuel comprend 7 parties, une pour chaque langue. La plupart des illustrations se trouve dans la première partie exclusivement. Le numéro de page des illustrations est toutefois indiqué dans chaque partie.

#### Pièces de l'imprimante

1. Type A
2. Type B et Type D bicolore
3. Type D monochrome

Tous droits réservés. Sauf autorisation écrite préalable de Seiko Epson Corporation, la reproduction, le stockage dans un système de rappel de données et la transmission sous quelque forme ou par quelque moyen que ce soit (électronique, mécanique, par photocopie, enregistrement, etc..) d'une partie quelconque de la présente publication sont interdits. La société décline toute responsabilité relative à l'exploitation des informations contenues dans le présent document. Cet ouvrage a été rédigé avec le plus grand soin ; toutefois, Seiko Epson décline toute responsabilité pour les erreurs et omissions qu'il pourrait contenir, ainsi que pour tous dommages résultant de l'exploitation des informations qu'il contient.

La responsabilité de Seiko Epson Corporation ou de ses filiales ne saurait être engagée envers l'acheteur de ce produit ou envers des tiers pour dommages, pertes, frais ou débours encourus par ceux-ci par suite d'accident ou d'utilisation erronée ou abusive de ce produit, de modification, réparation ou transformation non autorisée de celui-ci, ou (à l'exclusion des Etats-Unis), de toute utilisation du produit qui n'est pas strictement conforme aux instructions d'utilisation et de maintenance de Seiko Epson Corporation.

Seiko Epson Corporation décline toute responsabilité pour dommages ou problèmes découlant de l'utilisation de tous articles en option ou de toutes fournitures consommables autres que celles désignée produit d'origine Epson ou produit approuvé Epson par Seiko Epson Corporation.

EPSON et ESC/POS sont des marques déposées de Seiko Epson Corporation.

REMARQUE : Les informations contenues dans ce manuel sont sujettes à modification sans préavis.

Copyright © 2001 par Seiko Epson Corporation, Nagano, Japon.

## Conformité aux normes de compatibilité électromagnétique et de sécurité

### Imprimante

Nom du produit : TM-U210A/TM-U210B/TM-U210D  
 Nom du modèle : M119A/M119B/M119D

Les normes suivantes ne s'appliquent qu'aux imprimantes portant une étiquette correspondante. (Compatibilité électromagnétique testée au moyen de l'adaptateur secteur et de l'alimentation PS-170 compris.)

Europe: Label CE  
 Sécurité: EN 60950

Amérique du Nord : IEM : FCC/ICES-003 Classe A  
 Sécurité: UL 1950/CSA C22.2  
 No. 950

Japon: CEM: VCCI Classe A

Océanie : CEM: AS/NZS 3548 Classe B

Taiwan: CEM: Classe B

### Adaptateur secteur

Nom du produit : PA-6511/6513, PB-6509/6510  
 Nom du modèle : M34PA, M34PB

Les normes suivantes ne s'appliquent qu'aux adaptateurs secteur portant une étiquette correspondante. (Conformité aux normes CEM pour l'imprimante et l'adaptateur secteur ensemble.)

Europe : Label CE  
 Sécurité: EN 60950

Amérique du Nord : Sécurité: UL 1950/CSA C22.2  
 No. 950

Japon: Sécurité: Loi japonaise visant les appareils et équipements électriques

Océanie : Sécurité: AS 3260

### AVERTISSEMENT

Le raccordement d'un câble d'interface d'imprimante non blindé à cette imprimante annule sa conformité aux normes CEM. Toute modification ou altération qui n'a pas été expressément approuvée par SEIKO EPSON Corporation peut entraîner la révocation de votre droit d'utilisation de ce matériel.

### Label CE

L'imprimante est conforme aux directives et normes suivantes :

|                      |  |
|----------------------|--|
| Directive 89/336/EEC | EN 55022 Classe B<br>EN 55024<br>IEC 61000-4-2<br>IEC 61000-4-3<br>IEC 61000-4-4<br>IEC 61000-4-5<br>IEC 61000-4-6<br>IEC 61000-4-11 |
| Directive 90/384/EEC | EN 45501   |

### A L'INTENTION DES UTILISATEURS CANADIENS

Cet appareil numérique de Classe A est conforme à la norme canadienne ICES-003.

## Consignes de sécurité

Cette section présente des informations importantes relatives à l'utilisation efficace et sans danger de ce produit. On voudra bien la lire attentivement et la conserver à portée de main.



### AVERTISSEMENT :

Mettre immédiatement l'équipement hors tension s'il dégage de la fumée ou une odeur étrange ou s'il émet des bruits inhabituels. En persistant à l'utiliser dans ces circonstances, on risquerait de provoquer un incendie. Débrancher immédiatement l'équipement et contacter le distributeur ou un centre de service SEIKO EPSON pour demander conseil.



*Ne jamais essayer de réparer ce produit soi-même. Toute réparation erronée peut être dangereuse.*

*Ne jamais démonter ou modifier ce produit. Les interventions intempestives peuvent provoquer des blessures ou des incendies.*

*Vérifier que la source d'alimentation électrique est conforme aux spécifications. Toute connexion à une source d'alimentation non conforme peut provoquer un incendie.*

*Ne pas laisser tomber de corps étrangers dans l'équipement. La pénétration de corps étrangers peut provoquer un incendie.*

*En cas de pénétration d'eau ou d'un autre liquide renversé dans l'équipement, débrancher immédiatement le cordon d'alimentation et contacter le distributeur ou un centre de service SEIKO EPSON pour demander conseil. En persistant à utiliser l'équipement dans ces circonstances, on risquerait de provoquer un incendie.*



### **ATTENTION :**

*Se conformer strictement aux instructions relatives à la connexion de câbles du présent manuel. Tout écart peut provoquer l'endommagement de l'équipement ou un incendie.*

*Veiller à poser cette unité sur une surface horizontale ferme et stable. Toute chute du produit peut casser celui-ci ou occasionner des blessures.*

*Ne pas utiliser le produit dans des endroits très poussiéreux ou exposés à une forte humidité. Toute humidité ou poussière excessive peut provoquer l'endommagement de l'équipement ou un incendie.*

*Ne pas poser d'objets lourds sur ce produit. Ne jamais s'y appuyer ou monter dessus. L'équipement pourrait tomber ou s'affaisser, et se casser ou causer des blessures.*

*Pour plus de sécurité, débrancher ce produit lorsqu'il ne doit pas servir pendant une période de temps prolongée.*

## **Consignes de sécurité**



### **AVERTISSEMENT :**

*Ne pas brancher de ligne téléphonique sur le connecteur d'ouverture automatique du tiroir car cela risquerait d'endommager l'imprimante et la ligne téléphonique.*



### **ATTENTION :**

*La tête d'impression est brûlante.*

## Caractéristiques des types d'imprimante

|                                  | Type A                         | Type B                         | Type D                         |
|----------------------------------|--------------------------------|--------------------------------|--------------------------------|
| Impression bicolore              | Oui                            | Oui                            | Monocole ou bicolore           |
| Coupe-papier automatique         | Oui                            | Oui                            | Non                            |
| Dispositif de réception          | Oui                            | Non                            | Non                            |
| Interface                        | Série ou parallèle             | Série ou parallèle             | Série ou parallèle             |
| Jeu de caractères pris en charge | Alphanumérique ou multilingue* | Alphanumérique ou multilingue* | Alphanumérique ou multilingue* |

\* Les modèles multilingues peuvent imprimer les caractères alphanumériques et l'un des jeux de caractères suivants : kanji japonais, kanji chinois, kanji taiwanais ou thaï.

Étant donné que les imprimantes **Type D** n'ont pas de coupe-papier automatique, sauter les instructions relatives à cet élément en cas d'utilisation d'une imprimante **Type D**.

### Illustrations

Ce manuel traite des trois types d'imprimante TM-U210 et il se peut par conséquent que certaines illustrations ne correspondent pas exactement à votre imprimante. Toutefois, sauf indication contraire, les instructions concernent toutes les imprimantes.

### Déballage

Selon les spécifications du modèle, les articles suivants peuvent être contenus dans le carton de l'imprimante. Si un élément est endommagé, contacter le revendeur.

- Imprimante
- Cache d'interrupteur
- Bobine réceptrice pour papier-journal
- Rouleau de papier
- Cartouche-ruban
- Adaptateur secteur

### Panneau de commande

#### Bouton d'avance papier (FEED)

Ce bouton permet de faire avancer le papier.

#### Témoin d'erreur (ERROR)

Ce témoin signale une erreur.

**Témoin de marche (POWER)**

Ce témoin s'allume lorsque l'imprimante est en marche.

**Témoin de papier épuisé (PAPER OUT)**

Ce voyant s'allume quand le rouleau de papier arrive ou presque à la fin. Il clignote pour indiquer que l'imprimante est en mode d'attente.

**Utilisation du cache d'interrupteur****AVERTISSEMENT :**

*En cas d'accident alors que le cache d'interrupteur est en place, débrancher immédiatement le cordon d'alimentation. Il existe sinon des risques d'incendie ou de choc électrique.*

Le cache d'interrupteur fourni empêche tout actionnement accidentel de l'interrupteur marche-arrêt. Pour l'utiliser, l'installer de la manière indiquée à la figure 1, page 4.

**Installation de la cartouche-ruban****ATTENTION :**

*Ne jamais tourner le bouton d'avance de la cassette-ruban dans le sens contraire de la flèche marquée sur la cartouche ; la cartouche-ruban risque sinon d'être endommagée.*

**Remarque :**

*Utiliser la cartouche-ruban EPSON ERC-38 pour l'imprimante.*

1. Ouvrir le capot de l'imprimante et tourner le bouton 2 ou 3 fois dans le sens de la flèche (voir figure 2, page 5).
2. Ouvrir le coupe-papier automatique en tirant la languette vers le haut et vers soi.
3. Insérer le ruban dans la position indiquée à la figure 3, page 5, et abaisser la cartouche-ruban jusqu'à ce qu'elle s'enclenche.

**Remarque :**

*Veiller à installer le ruban entre la tête d'impression et le bouton de cylindre sans froissures ni plis.*

4. Tourner à nouveau le bouton 2 ou 3 fois dans le sens de la flèche, fermer le coupe-papier automatique au moyen de la languette et refermer le capot de l'imprimante.

---

## Installation du rouleau de papier

1. À l'aide de ciseaux, couper le bord avant du rouleau de papier de la manière indiquée à la figure **4**, page 6.
2. Allumer l'imprimante, ouvrir son capot et introduire le rouleau de papier (voir figure **5**, page 6). Noter le sens de déroulement du papier (voir figure **6**, page 6).
3. Ouvrir le coupe-papier automatique en tirant la languette vers le haut et vers soi (voir figure **7**, page 6).
4. En tenant le papier par les deux bords, l'introduire bien droit dans la fente (voir figure **8**, page 6). L'imprimante fait automatiquement avancer le papier.
5. Si la bobine réceptrice n'est pas utilisée, déchirer le papier, fermer le coupe-papier automatique et refermer le capot de l'imprimante. Sauter les étapes 6 à 8.
6. **Type A uniquement** : En cas d'emploi de papier à 2 plis, introduire le bout du papier dans la bobine réceptrice de la manière indiquée ci-dessous. La dimension A doit être comprise entre 40 et 60 mm et le côté gauche du papier doit être aligné par rapport au rebord de la bobine, comme indiqué par la flèche sur la figure **9**, page 7.
7. Insérer la bobine réceptrice de papier-journal dans l'imprimante (voir figure **10**, page 7) et couper le papier à recevoir.
8. Refermer le coupe-papier automatique au moyen de la languette. Veiller à vérifier à nouveau que le côté gauche du papier est aligné par rapport au rebord de la bobine, puis fermer le capot de l'imprimante.

---

## Dépannage

---

### Aucun témoin du panneau de commande ne s'allume

---

Vérifier les connexions du câble d'alimentation et la prise électrique.

---

### Voyant d'erreur (ERROR) clignotant en l'absence d'impression (et de bourrage papier)

---

L'impression cesse si la tête surchauffe et reprend une fois qu'elle s'est refroidie. Éteindre l'imprimante, attendre 10 secondes, puis la rallumer.

## Dégagement d'un bourrage de papier

Procéder comme suit pour dégager un bourrage de papier :



### **ATTENTION :**

*La tête d'impression devient très chaude durant l'impression. La laisser refroidir avant de toucher des éléments internes.*

1. Ouvrir le capot de l'imprimante.
2. Couper le papier à recevoir (et le papier-journal dans le cas d'une imprimante **Type A** utilisant du papier à 2 plis) aux emplacements indiqués par les flèches de la figure **11**, page 8.
3. Enlever le rouleau de papier de l'imprimante et ouvrir le coupe-papier automatique en tirant la languette vers le haut et vers soi.
4. Enlever le papier qui a fait bourrage en le tirant dans le sens d'avance du papier (voir figure **12**, page 8).

#### **Remarque :**

*Ne pas tirer le papier dans le sens contraire de l'avance du papier.*

5. S'il reste du papier dans l'imprimante, procéder comme suit.
6. Enlever la cartouche-ruban.
7. Desserrer la vis de fixation du capot de la tête d'impression. Tourner la vis jusqu'à ce qu'il soit possible de basculer le capot (voir figure **13**, page 8).

#### **Remarque :**

*Ne pas enlever la vis du capot de la tête d'impression.*

8. Relever le capot de la tête d'impression (voir figure **14**, page 8).
9. Enlever tout le papier qui a fait bourrage.

#### **Remarque :**

*Ne pas tirer le papier dans le sens contraire de l'avance du papier.*

10. Replacer le capot de la tête d'impression et le fixer avec la vis.
11. Replacer la cartouche-ruban et fermer le coupe-papier automatique.
12. Si la lame du coupe-papier automatique n'est pas à sa position normale (la lame est visible par la fente du coupe-papier, ce qu'indique une flèche sur la figure **15**, page 9), introduire un tournevis du côté droit du coupe-papier et faire tourner l'engrenage interne pour déplacer la lame jusqu'à sa position normale.
13. Replacer le rouleau de papier et fermer le capot de l'imprimante.

*Fiche technique de la TM-U210, modèles A, B, D*

|                                       |   |
|---------------------------------------|---|
| <b>Méthode d'impression</b>           | Série à points à percussion   |
| <b>Printing direction</b>             | Bidirectionnel piloté par logique   |
| <b>Largeur d'impression</b>           | 63,34 mm, positions 400 points  |
| <b>Caractères/ligne (par défaut)</b>  | <b>Police 7 × 9</b> : 40, <b>Police 9 × 9</b> : 33, <b>Kanji 16 × 16</b> : 25,<br><b>Thai 7 × 27</b> : 40, <b>Thai 9 × 27</b> : 33  |
| <b>Taille des caractères</b>          | <b>Police 7 × 9 ANK</b> : 1,2 × 3,1 mm<br>Graphique : 1,7 × 3,1 mm (1,6 × 3,1 mm*)<br><b>Police 9 × 9 ANK</b> : 1,6 × 3,1 mm<br>Graphique : 2,0 × 3,1 mm (1,9 × 3,1 mm*)<br><b>Kanji 16 × 16</b> : 2,7 × 2,7 mm<br><b>Thai 7 × 27</b> : 1,2 × 9,5 mm<br><b>Thai 9 × 27</b> : 1,6 × 9,5 mm |
| <b>Nombre de caractères</b>           | Alphanumériques : 95 ; Internationaux : 32<br>Graphique : tables de caractères 128 × 8<br>(Les modèles multilingues ont 11 tables de caractères et une fonctionnalité de prise en charge pour l'une des langues suivantes : Kanji japonais, Kanji chinois, Kanji taïwanais ou Thai)       |
| <b>Vitesse d'impression</b>           | Approx. 3,5 lps (40 colonnes, 16 cpp); 6,4 lps (16 colonnes, 16 cpp)<br>Temps de traitement et de transfert des données non compris.<br>L'impression en 2 couleurs ou en rouge réduit la vitesse.   |
| <b>Vitesse d'avance papier</b>        | Approx. 106 mm/s en continu   |
| <b>Espace interligne (par défaut)</b> | 4,23 mm   |
| <b>Cartouches-ruban</b>               | ERC-38 (P) Violet Durée : 4.000.000 caractères<br>ERC-38 (B) Noir Durée : 3.000.000 caractères<br>ERC-38 (B/R) Noir/rouge Durée : noir 4.000.000 /rouge 750.000<br>Durée calculée pour impression continue à 25 °C  |
| <b>Largeur du rouleau de papier</b>   | 76 ± 0,5 mm   |
| <b>Interface</b>                      | RS-232C ou parallèle bidirectionnelle   |
| <b>Tampon de réception</b>            | 1 Ko ou 40 octets (Multilingue : 512 Ko ou 40 octets)   |
| <b>Fonction DKD</b>                   | 2 unités  |
| <b>Alimentation</b>                   | + 24 ~ + 34 Vc.c.   |
| <b>Consommation électrique</b>        | Mode Impression : 43 W moy. (sans ressort tiroir)<br>Mode Attente : 6 W moy.  |
| <b>Durée</b>                          | Mécanique : 7.500.000 lignes<br>Tête d'impression : 150 millions de caractères<br>Coupe-papier auto. : 800.000 coupes   |
| <b>MTBF</b>                           | 180.000 heures  |
| <b>MCBF</b>                           | 18.000.000 lignes   |
| <b>Température</b>                    | Service : 0 à 50 °C<br>Storage: -10 à 50 °C   |
| <b>Humidité</b>                       | Service: HR 10 à 90 % (sans condensation)<br>Service: HR 10 à 90 % (sans condensation)  |
| <b>Dimensions globales</b>            | <b>Type A</b> 160 × 160 × 295 mm (h/l/p)<br><b>Type B</b> 150 × 160 × 248 mm (h/l/p)<br><b>Type D</b> 133 × 160 × 248 mm (h/l/p)  |
| <b>Poids (masse)</b>                  | <b>Type A</b> 2,5 kg, <b>Type B</b> 2,5 kg, <b>Type D</b> 2,2 kg  |

\* indique valeur avec commutateur DIP 2-1 réglé sur ON

ANK : caractères alphanumériques, lps: lignes par seconde

# Série TM-U210

## Manual do utilizador

### Interruptor DIP

Veja a contracapa frontal deste manual para informações sobre as definições do interruptor DIP.

### Ilustrações

Este manual está dividido em 7 secções, uma para cada língua. As ilustrações aparecem apenas na primeira secção; no entanto, em cada uma das secções, há referência às páginas onde se encontram as ilustrações.

#### Peças da impressora

1. Tipo A
2. Tipo B e Tipo D de duas cores
3. Tipo D de uma cor

Todos os direitos reservados. Esta publicação não pode ser integral ou parcialmente reproduzida, arquivada nem transmitida por meio de fotocópias, gravação ou qualquer outro sistema mecânico ou electrónico, sem a prévia autorização por escrito da SEIKO EPSON CORPORATION, que não assume qualquer responsabilidade de patente no que diz respeito ao uso das informações aqui contidas. Uma vez que foram tomadas todas as precauções na elaboração deste manual, a SEIKO EPSON CORPORATION não se responsabiliza por erros ou omissões, nem por quaisquer danos resultantes do uso das informações aqui contidas.

O comprador deste produto ou terceiros não podem responsabilizar a SEIKO EPSON CORPORATION, ou as suas filiais, por quaisquer danos, perdas, custos ou despesas, incorridos por ele ou por terceiros, resultantes de acidentes, abusos ou má utilização do produto, de modificações não autorizadas, reparações ou alterações do produto, ou resultantes ainda da inobservância estrita das instruções de utilização e manutenção estabelecidas pela SEIKO EPSON CORPORATION.

A SEIKO EPSON CORPORATION não se responsabiliza por quaisquer avarias ou problemas provocados pela utilização de opções ou produtos não reconhecidos como sendo produtos genuínos EPSON ou produtos aprovados pela EPSON.

EPSON e ESC/POS são marcas registadas da Seiko Epson Corporation.

AVISO: O conteúdo deste manual está sujeito a alterações sem aviso prévio.

## **Normas de compatibilidade electromagnética (EMC) e normas de segurança aplicáveis**

### **Impressora**

Nome do produto: TM-U210A/TM-U210B/TM-U210D  
Nome do modelo: M119A/M119B/M119D

As normas seguintes aplicam-se apenas às impressoras que possuem uma etiqueta com as respectivas indicações (as normas EMC são testadas utilizando o adaptador de corrente alterna embalado com a impressora e a PS-170).

|                   |                 |                           |
|-------------------|-----------------|---------------------------|
| Europa:           | Certificação CE |                           |
|                   | Segurança:      | EN 60950                  |
| América do Norte: | EMI:            | FCC/ICES-003 Classe A     |
|                   | Segurança:      | UL 1950/CSA C22.2 N.º 950 |
| Japão:            | EMC:            | VCCI Classe A             |
| Oceania:          | EMC:            | AS/NZS 3548 Classe B      |
| Taiwan:           | EMC:            | Classe B                  |

### **Adaptador de corrente alterna**

Nome do produto: PA-6511/6513, PB-6509/6510  
Nome do modelo: M34PA, M34PB

As normas seguintes aplicam-se apenas aos adaptadores de corrente alterna que possuem uma etiqueta com as respectivas indicações (a impressora e o adaptador de corrente alterna juntos aplicam-se às normas EMC).

|                   |                 |  |
|-------------------|-----------------|--|
| Europa:           | Certificação CE |  |
|                   | Segurança:      | EN 60950   |
| América do Norte: | Segurança:      | UL 1950/CSA C22.2 N.º 950                                    |
| Japão:            | Segurança:      | Lei de Controlo de Aparelhos Eléctricos e Materiais do Japão |
| Oceania:          | Segurança:      | AS 3260  |

### **ATENÇÃO**

A ligação da impressora através de um cabo de interface não blindado invalida as normas EMC deste dispositivo. Quaisquer alterações não aprovadas expressamente pela SEIKO EPSON CORPORATION podem anular a autorização concedida para utilizar o equipamento.

### **Certificação CE**

A impressora está em conformidade com as seguintes directivas e normas:

|                      |                   |
|----------------------|-------------------|
| Directiva 89/336/EEC | EN 55022 Classe B |
|                      | EN 55024          |
|                      | IEC 61000-4-2     |
|                      | IEC 61000-4-3     |
|                      | IEC 61000-4-4     |
|                      | IEC 61000-4-5     |
|                      | IEC 61000-4-6     |
|                      | IEC 61000-4-11    |
| Directiva 90/384/EEC | EN 45501          |

### **Declaração de conformidade com a FCC para os utilizadores americanos**

Este equipamento foi testado e constatou-se que está em conformidade com os limites estabelecidos para um dispositivo digital Classe A, de acordo com a Parte 15 das Normas da FCC. Esses limites são estabelecidos para fornecer uma protecção aceitável contra interferências prejudiciais se o equipamento for utilizado num ambiente comercial.

Este equipamento gera, utiliza e pode irradiar energia em radiofrequência e, se não for instalado e utilizado de acordo com o manual de instruções, poderá causar interferências prejudiciais à comunicação via rádio. A utilização deste equipamento em áreas residenciais poderá provocar interferências prejudiciais, devendo, nesses casos, o utilizador corrigir ele mesmo as interferências.

## **Instruções de segurança**

Esta secção contém informações importantes sobre como utilizar este produto de uma forma eficaz e segura. Leia estas instruções e guarde-as num local acessível para que as possa consultar sempre que necessário.



**ATENÇÃO:**

*Se o equipamento emitir fumo, um odor estranho ou um ruído invulgar, desligue-o imediatamente. Se o continuar a utilizar, poderá provocar um incêndio ou um choque eléctrico. Desligue imediatamente o equipamento da tomada e contacte o Serviço de Assistência a Clientes EPSON.*

*Nunca tente reparar este produto; as reparações indevidas podem tornar-se perigosas.*

*Nunca desmonte ou modifique este produto; caso contrário pode ferir-se, provocar um incêndio ou um choque eléctrico.*

*Utilize a fonte de energia especificada; caso contrário, poderá provocar um incêndio ou um choque eléctrico.*

*Não insira objectos estranhos no interior do equipamento; caso contrário, poderá provocar um incêndio ou um choque eléctrico.*

*Se derramar água ou outro líquido no equipamento, desligue o cabo de corrente imediatamente e contacte o Serviço de Assistência a Clientes EPSON. Se continuar a utilizar o equipamento, poderá provocar um incêndio ou um choque eléctrico.*

**IMPORTANTE:**

*Ao ligar os cabos, siga estritamente as instruções do manual. Diferentes ligações podem danificar ou queimar o equipamento.*

*Instale o equipamento numa superfície firme, plana e estável, para evitar que o equipamento caia e fique danificado ou cause ferimentos.*

*Evite locais sujeitos a níveis de humidade e elevados e com demasiado pó. Humidade e pó em excesso podem danificar o equipamento, provocar um incêndio ou um choque eléctrico.*

*Não coloque objectos pesados em cima deste produto. Não se sente nem se apoie em cima do produto. O equipamento pode cair ou ceder e partir ou provocar ferimentos.*

*Para maior segurança, desligue este produto se não o for utilizar durante um longo período.*

**Etiquetas de aviso****ATENÇÃO:**

*Não ligue uma linha telefónica ao conector de abertura da gaveta; caso contrário, poderá danificar a impressora e a linha telefónica.*

**IMPORTANTE:**

*A cabeça de impressão está quente.*

## Características dos tipos de impressora

|                                 | <i>Tipo A</i>                  | <i>Tipo B</i>                  | <i>Tipo D</i>                  |
|---------------------------------|--------------------------------|--------------------------------|--------------------------------|
| Impressão de duas cores         | Sim                            | Sim                            | Uma só cor ou duas cores       |
| Dispositivo de corte automático | Sim                            | Sim                            | Não                            |
| Dispositivo tensor              | Sim                            | Não                            | Não                            |
| Interface                       | Série ou paralela              | Série ou paralela              | Série ou paralela              |
| Caracteres suportados           | Alfanuméricos ou multilíngues* | Alfanuméricos ou multilíngues* | Alfanuméricos ou multilíngues* |

\* Os modelos multilíngues podem imprimir caracteres alfanuméricos e um dos seguintes: Kanji japonês, Kanji chinês, Kanji de Taiwan ou caracteres tailandeses.

Dado que as impressoras do **Tipo D** não têm dispositivos de corte automático, ignore as partes do texto das instruções referentes ao dispositivo de corte automático se estiver a utilizar uma impressora do **Tipo D**.

### Ilustrações

Este manual inclui os três tipos de impressoras TM-U210, pelo que algumas das ilustrações podem ser ligeiramente diferentes da sua impressora. Contudo, as instruções abrangem todos os tipos, salvo indicação em contrário.

### Desembalagem

Os seguintes elementos podem ser fornecidos com a impressora, dependendo do modelo que possui. Se algum dos itens se encontrar danificado, contacte o Serviço de Assistência a Clientes EPSON.

- Impressora
- Rolo de papel
- Tampa do interruptor de ligação
- Cassete de fita
- Tensor do rolo de histórico
- Adaptador de corrente alterna

### Painel de controlo

#### Tecla de alimentação (FEED)

Esta tecla alimenta o papel.

#### Indicador luminoso de erro (ERROR)

Este indicador assinala um erro.

### **Indicador luminoso de ligação (POWER)**

Este indicador acende quando a impressora está ligada.

### **Indicador luminoso de falta de papel (PAPER OUT)**

Quando aceso, indica falta de papel ou que o papel está prestes a terminar. Quando pisca, indica modo de espera.

---

## **Utilização da tampa do interruptor de ligação**



### **ATENÇÃO:**

*Se ocorrer um acidente quando a tampa do interruptor de ligação estiver instalada, desligue imediatamente o cabo de alimentação. Se não o fizer, poderá provocar um incêndio ou um choque eléctrico.*

A tampa do interruptor de ligação fornecida impede que o interruptor de ligação seja pressionado acidentalmente. Para utilizar esta tampa, instale-a conforme se indica na figura 1 da página 4.

---

## **Instalação da cassete de fita**



### **IMPORTANTE:**

*Nunca rode o botão da cassete de fita na direcção oposta à da seta marcada na cassete; caso contrário, a cassete de fita poderá ficar danificada.*

#### **Nota:**

*Utilize a cassete de fita EPSON ERC-38 com a sua impressora.*

1. Abra a tampa da impressora e rode o botão duas ou três vezes na direcção da seta conforme se indica na figura 2 da página 5.
2. Abra o dispositivo de corte automático puxando a lingueta para cima, na sua direcção.
3. Insira a fita na posição indicada na figura 3 da página 5 e empurre a cassete de fita para baixo até a encaixar.

#### **Nota:**

*Assegure-se de que a fita fica instalada entre a cabeça de impressão e o rolo, sem vincos ou dobras.*

4. Rode novamente o botão da cassete de fita 2 ou 3 vezes na direcção da seta, feche o dispositivo de corte automático utilizando a lingueta e feche a tampa da impressora.

---

## ***Instalação do rolo de papel***

1. Utilizando uma tesoura, corte a extremidade principal do rolo de papel conforme se indica na figura **4** da página 6.
2. Ligue a impressora, abra a tampa da impressora e insira o rolo de papel conforme se indica na figura **5** da página 6. Observe a direcção do papel ao sair do rolo, indicada na figura **6** da página 6.
3. Abra o dispositivo de corte automático puxando a lingueta para cima e na sua direcção, conforme se indica na figura **7** da página 6.
4. Pegue em ambas as extremidades do papel e insira-o a direito na entrada de papel, conforme se indica na figura **8** da página 6. A impressora alimenta o papel automaticamente.
5. Se não estiver a utilizar o tensor do rolo, corte o papel, feche o dispositivo de corte automático e feche a tampa da impressora. Pode ignorar as operações de 6 a 8.
6. ***Apenas para impressoras do Tipo A:*** Quando utilizar papel em rolo de 2 camadas, insira a extremidade do papel no tensor do rolo conforme se indica em seguida. Assegure-se de que o comprimento da dimensão A fica compreendido entre 40 e 60 mm e que o lado esquerdo do papel fica alinhado com o rebordo do rolo, indicado pela seta da figura **9** da página 7.
7. Insira o tensor do rolo de histórico na impressora, conforme se indica na figura **10** da página 7, e corte o papel de recibo.
8. Feche o dispositivo de corte automático utilizando a lingueta. Não se esqueça de verificar novamente se o lado esquerdo do papel está alinhado com o rebordo do rolo; em seguida, feche a tampa da impressora.

---

## ***Resolução de problemas***

---

### **Os indicadores luminosos não acendem no painel de controlo**

---

Verifique as ligações do cabo de alimentação e da tomada eléctrica.

---

### **O indicador luminoso **ERROR** está intermitente mesmo sem impressão (e sem encravamento de papel)**

---

A impressão é interrompida se a cabeça aquecer excessivamente e recomeça quando esta arrefece. Desligue a impressora e ligue-a novamente após 10 segundos.

## Remoção de papel encravado

Execute as seguintes operações para retirar o papel encravado:



### **IMPORTANTE:**

*A cabeça de impressão fica muito quente durante a impressão. Aguarde que arrefeça antes de tocar na impressora.*

1. Abra a tampa da impressora.
2. Corte o papel de recibo (e o papel do histórico se possuir uma impressora do **Tipo A** e estiver a utilizar papel de duas camadas) nos locais indicados pelas setas da figura **11** da página 8.
3. Retire o rolo de papel da impressora e abra o dispositivo de corte automático puxando a lingueta para cima e na sua direcção.
4. Retire o papel encravado puxando-o na direcção da alimentação do papel, conforme se indica na figura **12** da página 8.

### **Nota:**

*Não puxe o papel encravado na direcção oposta à da alimentação do papel.*

5. Se o papel permanecer na impressora, execute as operações indicadas em seguida.
6. Retire a cassete de fita.
7. Afrouxe o parafuso que prende a tampa da cabeça de impressão. Rode o parafuso até que o possa inclinar, conforme se indica na figura **13** da página 8.

### **Nota:**

*Não retire o parafuso da tampa da cabeça de impressão.*

8. Levante a tampa da cabeça de impressão conforme se indica na figura **14** da página 8.
9. Retire todo o papel encravado.

### **Nota:**

*Não puxe o papel encravado na direcção oposta à da alimentação do papel.*

10. Coloque de novo a tampa da cabeça de impressão e prenda-a com o parafuso.
11. Coloque de novo a cassete de fita e feche o dispositivo de corte automático.

12. Se a lâmina do dispositivo de corte automático não estiver na posição normal (a lâmina não está na posição normal se a conseguir ver através da fenda do dispositivo de corte automático, que é indicada por uma seta na figura **15** da página 9), insira uma chave de fendas do lado direito do dispositivo de corte automático e rode o mecanismo interno para deslocar a lâmina para a posição normal.
13. Coloque de novo o rolo de papel e feche a tampa da impressora.

## Características técnicas: Modelos A, B, D da TM-U210

|   |  |
|---|--|
| <b>Método de impressão</b>                    | Matriz de pontos de impacto série  |
| <b>Direcção de impressão</b>                  | Busca lógica bidireccional   |
| <b>Largura de impressão</b>                   | 63,34 mm {2,49 polegadas}, posições de 400 pontos  |
| <b>Caracteres por linha (predefinidos)</b>    | <b>Fonte 7 × 9:</b> 40, <b>Fonte 9 × 9:</b> 33, <b>Kanji 16 × 16:</b> 25,<br><b>Tailandês 7 × 27:</b> 40, <b>Tailandês 9 × 27:</b> 33  |
| <b>Tamanho do carácter</b>                    | <b>Fonte 7 × 9 ANK:</b> 1,2 × 3,1 mm Gráficos: 1,7 × 3,1 mm (1,6 × 3,1 mm*)<br><b>Fonte 9 × 9 ANK:</b> 1,6 × 3,1 mm Gráficos: 2,0 × 3,1 mm (1,9 × 3,1 mm*)<br><b>Kanji 16 × 16:</b> 2,7 × 2,7 mm<br><b>Tailandês 7 × 27:</b> 1,2 × 9,5 mm<br><b>Tailandês 9 × 27:</b> 1,6 × 9,5 mm |
| <b>Número de caracteres</b>                   | Caracteres alfanuméricos: 95; Caracteres internacionais: 32<br>Gráficos: tabelas de caracteres de 128 × 8<br>(Os modelos multilíngues têm 11 tabelas de caracteres e suportam um dos seguintes: Kanji japonês, Kanji chinês, Kanji de Taiwan ou caracteres tailandeses)            |
| <b>Velocidade de impressão</b>                | Aprox. 3,5 lps (40 colunas, 16 cpp); 6,4 lps (16 colunas, 16 cpp)<br>Não incluindo o tempo de transferência de dados e o processamento.<br>A impressão a duas cores ou em vermelho reduz a velocidade.   |
| <b>Velocidade de alimentação do papel</b>     | Aprox. 106 mm/s de alimentação contínua de papel   |
| <b>Espaçamento entre linhas (predefinido)</b> | 4,23 mm  |
| <b>Cassetes de fita (vida útil)</b>           | ERC-38 (P) Roxa: 4.000.000 caracteres<br>ERC-38 (B) Preta: 3.000.000 caracteres<br>ERC-38 (B/R) Preta/Vermelha: Preta 4.000.000/Vermelha 750.000 caracteres<br>Vida útil baseada numa impressão contínua a 25 °C   |
| <b>Largura do rolo de papel</b>               | 76 mm: ± 0,5   |
| <b>Interface</b>                              | RS-232C ou Paralela bidireccional  |
| <b>Memória de recepção</b>                    | 1 KB ou 40 bytes (Multilíngue: 512 KB ou 40 bytes)   |
| <b>Função DKD</b>                             | 2 unidades   |
| <b>Fonte de alimentação</b>                   | + 24 ~ + 34 VCC  |
| <b>Consumo de corrente</b>                    | Em funcionamento: 43 W em média (excepto abertura da gaveta)<br>Em espera: 6 W em média  |
| <b>Vida útil</b>                              | Mecanismo: 7.500.000 linhas<br>Cabeça de impressão: 150 milhões de caracteres<br>Dispositivo de corte automático: 800.000 cortes   |
| <b>MTBF</b>                                   | 180.000 horas  |
| <b>MCBF</b>                                   | 18.000.000 linhas  |
| <b>Temperatura</b>                            | Em funcionamento: 0 a 50 °C<br>Em armazém: -10 a 50 °C   |
| <b>Humidade (sem condensação)</b>             | Em funcionamento: 10 a 90% de humidade relativa<br>Em armazém: 10 a 90% de humidade relativa   |
| <b>Dimensões gerais</b>                       | <b>Tipo A</b> 160 × 160 × 295 mm (A × L × P)<br><b>Tipo B</b> 150 × 160 × 248 mm (A × L × P)<br><b>Tipo D</b> 133 × 160 × 248 mm (A × L × P)   |
| <b>Peso</b>                                   | <b>Tipo A</b> 2,5 kg, <b>Tipo B</b> 2,5 kg, <b>Tipo D</b> 2,2 kg   |

\* indica o valor com o interruptor DIP 2-1 ligado

ANK: caracteres alfanuméricos, lps: linhas por segundo





# Serie TM-U210

## Manual del usuario

### Los interruptores DIP

Vea la información sobre la fijación de los interruptores DIP en el interior de la portada de este manual.

### Ilustraciones

Este manual se divide en 7 secciones, una para cada idioma. La mayoría de las ilustraciones aparecen en la primera sección, y no se repiten. Sin embargo, cada sección hace referencia a las páginas de las ilustraciones.

#### Piezas de la impresora

1. Tipo A
2. Tipo B y Tipo D de dos colores
3. Tipo D de un solo color

Se reservan todos los derechos. Ninguna porción de esta publicación podrá reproducirse, guardarse en un sistema de recuperación de datos o transmitirse en forma o modo alguno, sea electrónico, mecánico, fotocopiado, grabado o de otra forma, sin el permiso previo y por escrito de SEIKO EPSON Corporation. No se asume responsabilidad de patente con respecto al uso de la información contenida aquí. Si bien se han tomado todas las precauciones en la preparación de este libro, SEIKO EPSON Corporation no asume ninguna responsabilidad por errores u omisiones. Tampoco asume responsabilidad alguna que surja por el uso de la información contenida aquí.

Ni SEIKO EPSON Corporation ni sus compañías afiliadas serán responsables ante el comprador de este producto o ante terceros por daños, pérdidas, costos, o gastos incurridos por el comprador o por terceros como resultado de: accidente, uso indebido, o abuso de este producto o de modificaciones, reparaciones o alteraciones no autorizadas de este producto, o (excluyendo a los EE.UU.) por no cumplir estrictamente con las instrucciones de operación y mantenimiento de SEIKO EPSON Corporation.

SEIKO EPSON Corporation no será responsable de cualquier daño o problema que surja por el uso de cualquier opción o producto de consumo que no esté designado como Producto EPSON Original o Aprobado por SEIKO EPSON Corporation.

EPSON y ESC/POS son marcas registradas de SEIKO EPSON Corporation.

**AVISO:** El contenido de este manual está sujeto a cambios sin previo aviso.

Copyright © 2001 SEIKO EPSON Corporation, Nagano, Japón.

## Se aplican las normas EMC y de seguridad

### Impresora

Nombre del producto: TM-U210A/TM-U210B/  
TM-U210D

Nombre del modelo: M119A/M119B/M119D

Las siguientes normas se aplican sólo a las impresoras así etiquetadas. (Las normas EMC se prueban usando el adaptador de C.A. incluido y la PS-170.)

|                    |                              |  |
|--------------------|------------------------------|--|
| Europa:            | Marcado CE                   |  |
|                    | Seguridad: NE 60950          |  |
| América del Norte: | EMI: FCC/ICES-003 Clase A    |  |
|                    | Seguridad: UL 1950/CSA C22.2 |  |
|                    | No. 950                      |  |
| Japón:             | EMC: VCCI Clase A            |  |
| Oceanía:           | EMC: AS/NZS 3548 Clase B     |  |
| Taiwan:            | EMC: Clase B                 |  |

### Adaptador de C.A.

Nombre del producto: PA-6511/6513, PB-6509/6510

Nombre del modelo: M34PA, M34PB

Las siguientes normas se aplican sólo a los adaptadores de C.A. así etiquetados. (La impresora y el adaptador de C.A. juntos se aplican a las normas EMC.)

|                    |                                  |  |
|--------------------|----------------------------------|--|
| Europa:            | Marcado CE                       |  |
|                    | Seguridad: NE 60950              |  |
| América del Norte: | Seguridad: UL 1950/CSA C22.2     |  |
|                    | No. 950                          |  |
| Japón:             | Seguridad: Leyes del Japón sobre |  |
|                    | Aparatos Eléctricos y            |  |
|                    | Control de Materiales            |  |
| Oceanía:           | Seguridad: AS 3260               |  |

### ADVERTENCIA

La conexión de un cable de interface no blindado a esta impresora invalidará las normas EMC de este dispositivo. Se le advierte que los cambios o

modificaciones no aprobados expresamente por SEIKO EPSON Corporation podrían anular la autorización que tiene usted para operar el equipo.

### Marcado CE

La impresora se ajusta a las siguientes Directivas y Normas:

|                      |                  |
|----------------------|------------------|
| Directiva 89/336/CEE | NE 55022 Clase B |
|                      | NE 55024         |
|                      | IEC 61000-4-2    |
|                      | IEC 61000-4-3    |
|                      | IEC 61000-4-4    |
|                      | IEC 61000-4-5    |
|                      | IEC 61000-4-6    |
|                      | IEC 61000-4-11   |
| Directiva 90/384/CEE | NE 45501         |

### Declaración de cumplimiento de las normas de FCC para usuarios de los Estados Unidos

Este equipo ha sido probado y se ha verificado que cumple con los límites para un dispositivo digital de Clase A, de acuerdo con la Parte 15 de las Reglamentaciones de FCC. Estos límites han sido establecidos para proveer una protección razonable contra las interferencias perjudiciales cuando el equipo se utiliza en un entorno comercial.

Este equipo genera, utiliza, y puede radiar energía de radiofrecuencia y, de no ser instalado y utilizado de acuerdo con el manual de instrucciones, puede causar interferencias perjudiciales en las comunicaciones por radio. Es probable que el uso de este equipo en una zona residencial cause interferencias perjudiciales, en cuyo caso el usuario deberá corregir las interferencias a su propia costa.

## Precauciones de Seguridad

En esta sección, se presenta información importante cuyo propósito es cerciorarse de un uso seguro y efectivo de este producto. Por favor, lea esta sección con cuidado y guárdela en un lugar accesible.



### ADVERTENCIA:

Apague su equipo de inmediato si éste produce humo, un olor raro, o un ruido inusual. El seguir utilizándolo podría ocasionar un incendio. Desenchufe el equipo de inmediato y comuníquese con su distribuidor o con un servicio técnico EPSON.

*Nunca trate de reparar este producto usted mismo. Una reparación incorrecta puede ser peligrosa.*

*Nunca desmonte o modifique este producto. La manipulación de este producto puede causar lesiones o un incendio.*

*Cerciórese de usar la fuente de alimentación eléctrica especificada. La conexión a una fuente de alimentación eléctrica inadecuada puede causar un incendio.*

*No deje que materiales extraños caigan dentro del equipo, ya que podría provocar un incendio.*

*Si se derrama agua o algún otro líquido dentro del equipo, desenchufe el cable eléctrico inmediatamente, y después comuníquese con su distribuidor o con un servicio técnico EPSON. El seguir usándolo podría causar un incendio.*



### **PRECAUCIÓN:**

*No conecte los cables en formas que difieran a las mencionadas en este manual. Conexiones diferentes podrían causar daños e incendios.*

*Cerciórese de poner este equipo sobre una superficie firme, estable, horizontal. El producto se puede romper o causar lesiones si se cae.*

*No lo use en lugares sujetos a altos niveles de humedad o de polvo. El exceso de humedad o de polvo podría causar daños o incendios al equipo.*

*No ponga objetos pesados encima de este producto. Nunca se apoye sobre este producto. El equipo podría caerse, causando roturas y posibles lesiones.*

*Por razones de seguridad, por favor desenchufe este producto antes de dejarlo sin usar por un largo periodo de tiempo.*

---

## **Etiquetas de Precaución**



### **ADVERTENCIA:**

*No conecte una línea telefónica al conector de apertura del cajón; si lo hace, se pueden dañar la impresora y la línea de teléfono.*



### **PRECAUCIÓN:**

*El cabezal impresor está caliente.*

## Características de los tipos de impresoras

|                         | <i>Tipo A</i>                 | <i>Tipo B</i>                 | <i>Tipo D</i>                 |
|-------------------------|-------------------------------|-------------------------------|-------------------------------|
| Impresión a dos colores | Sí                            | Sí                            | Un solo color o dos colores   |
| Cortador automático     | Sí                            | Sí                            | No                            |
| Recogedor de papel      | Sí                            | No                            | No                            |
| Interface               | Serie o paralelo              | Serie o paralelo              | Serie o paralelo              |
| Caracteres soportados   | Alfanuméricos o multilingües* | Alfanuméricos o multilingües* | Alfanuméricos o multilingües* |

\* Los modelos multilingües pueden imprimir caracteres alfanuméricos y uno de los siguientes: caracteres de japonés Kanji, de chino Kanji, de taiwanés Kanji, o de tailandés.

Debido a que las impresoras **Tipo D** no tienen cortadores automáticos, por favor sáltese las secciones sobre los cortadores automáticos en las instrucciones si usted está usando una impresora **Tipo D**.

### Ilustraciones

Debido a que este manual cubre tres tipos de impresoras TM-U210, algunas de las ilustraciones podrían diferir un poco respecto a su impresora. Sin embargo, las instrucciones cubren todos los tipos, excepto cuando se indica.

### Desembalaje

Los siguientes artículos podrían venir incluidos con la impresora, dependiendo de las especificaciones de su modelo. Si alguno de los artículos está dañado, llame a su distribuidor.

- |   |  |
|---|--|
| <input type="checkbox"/> Impresora                      | <input type="checkbox"/> Rollo de papel    |
| <input type="checkbox"/> Tapa del interruptor           | <input type="checkbox"/> Cartucho de cinta |
| <input type="checkbox"/> Carrete del recogedor de papel | <input type="checkbox"/> Adaptador de C.A. |

---

## Panel de control

### Botón de alimentación (FEED)

Este botón alimenta el papel.

### Indicador de error (ERROR)

Se ilumina al producirse un error.

### Indicador de alimentación eléctrica (POWER)

Iluminado cuando la impresora está encendida.

### Indicador de falta de papel (PAPER OUT)

Encendido indica que el papel se acabó o se está acabando.

Parpadeando indica que está en espera.

---

## Uso de la tapa del interruptor de alimentación



### ADVERTENCIA:

*Si ocurre un accidente cuando esté puesta la tapa del interruptor de la alimentación, desenchufe el cable eléctrico de inmediato. Seguir usándola podría causar un incendio o un cortocircuito.*

La tapa del interruptor de alimentación, adjunta, evita que se presione accidentalmente el interruptor de alimentación. Para usar esta tapa, instálela como se muestra en la ilustración 1 en la página 4.

---

## Instalación del cartucho de cinta



### PRECAUCIÓN:

*Nunca gire el botoncillo de alimentación del cartucho de cinta en dirección opuesta a la flecha marcada en el cartucho; de otra forma el cartucho de cinta podría dañarse.*

### Nota:

*Use el cartucho de cinta EPSON ERC-38 para su impresora.*

1. Abra la tapa de la impresora y gire el botoncillo dos o tres veces en dirección de la flecha, como se muestra en la ilustración 2 de la página 5.
2. Abra el cortador automático tirando de la lengüeta hacia arriba y hacia usted.

3. Inserte la cinta en la posición que se muestra en la ilustración **3** de la página 5 y empuje el cartucho de cinta hacia abajo hasta que se escuche un chasquido.

**Nota:**

*Cerciórese de que la cinta quede instalada entre el cabezal impresor y el rodillo sin arrugas ni dobleces.*

4. Nuevamente gire el botoncillo del cartucho de cinta 2 ó 3 veces en dirección de la flecha, cierre el cortador automático usando la lengüeta, y cierre la tapa de la impresora.

---

## ***Instalación del rollo de papel***

1. Utilizando unas tijeras, corte el extremo del rollo de papel como se muestra en la ilustración **4** en la página 6.
2. Encienda la impresora, abra la tapa de la impresora e inserte el rollo de papel como se muestra en la ilustración **5** en la página 6. Fíjese en la dirección por la que sale el papel del rollo, la cual se muestra en la ilustración **6** en la página 6.
3. Abra el cortador automático tirando de la lengüeta hacia arriba y hacia usted como se muestra en la ilustración **7** en la página 6.
4. Sujete el papel por el borde e insértelo en forma recta en la ranura para papel, como se muestra en la ilustración **8** en la página 6. La impresora alimenta el papel automáticamente.
5. Si no está usando el recogedor de papel, corte el papel, cierre el cortador automático, y cierre la tapa de la impresora. Puede saltarse los pasos 6 a 8.
6. **Tipo A únicamente:** Cuando use rollo de papel de 2 capas, inserte la punta del papel en el recogedor de papel. Cerciórese de que la longitud de A está entre 40 y 60 mm y que el lado izquierdo del papel esté alineado con el borde del carrete, éste está indicado por la flecha en la ilustración **9** en la página 7.
7. Inserte el carrete del recogedor del papel en la impresora, como se muestra en la ilustración **10** en la página 7, y corte el papel de recibos.
8. Cierre el cortador automático usando la lengüeta. Cerciórese de volver a revisar que el lado izquierdo del papel esté alineado con el borde del carrete; entonces cierre la tapa de la impresora.

---

## Localización de problemas

---

---

### No se encienden las luces en el panel de control

---

Revise las conexiones del cable de alimentación y de la toma de corriente.

---

### Indicador **ERROR** parpadeando y no hay impresión (ni tampoco un atasco de papel)

---

La impresión se detiene cuando el cabezal se sobrecalienta, y se reanuda cuando se enfría. Apague la impresora, y después de 10 segundos, vuélvala a encender.

## Solucionar un atasco de papel

Siga estos pasos para solucionar un atasco de papel:



### **PRECAUCIÓN:**

*El cabezal impresor se calienta mucho durante la impresión. Déjelo que se enfríe antes de meter las manos en la impresora.*

1. Abra la tapa de la impresora.
2. Corte el papel de recibos (y el papel de diario si tiene una impresora **Tipo A** y está usando papel de dos capas) en los lugares indicados por las flechas en la ilustración **11** en la página 8.
3. Saque el rollo de papel de la impresora y abra el cortador automático tirando de la lengüeta hacia arriba y hacia usted.
4. Saque el papel atascado tirando de él en dirección de la alimentación de papel como se muestra en la ilustración **12** en la página 8.

### **Nota:**

*No tire del papel atascado en la dirección opuesta a la de la alimentación de papel.*

5. Si todavía queda papel en la impresora, siga estos pasos.
6. Saque el cartucho de cinta.
7. Afloje el tornillo que asegura la tapa del cabezal impresor. Gire el tornillo hasta que lo pueda inclinar como se muestra en la ilustración **13** en la página 8.

### **Nota:**

*No saque completamente el tornillo de la tapa del cabezal impresor.*

8. Levante la tapa del cabezal impresor como se muestra en la ilustración **14** en la página 8.
9. Retire todo el papel atascado.

**Nota:**

*No tire del papel atascado en dirección opuesta a la de la alimentación de papel.*

10. Instale la tapa del cabezal impresor y asegúrelo con el tornillo.
11. Vuelva a instalar el cartucho de cinta y cierre el cortador automático.
12. Si la cuchilla del cortador automático no está en su posición normal (si se puede ver la cuchilla por la hendidura del cortador automático, que está indicada por una flecha en la ilustración **15** en la página 9, la cuchilla no está en la posición normal), introduzca un destornillador en el lado derecho del cortador automático y gire el engranaje interior para mover la cuchilla a su posición normal.
13. Vuelva a instalar el rollo de papel y cierre la tapa de la impresora.



## Especificaciones: TM-U210 Modelos A, B, D

|  |   |
|--|---|
| <b>Método de impresión</b>                   | Impacto serie por matriz de puntos  |
| <b>Dirección de la impresión</b>             | Bidireccional, de búsqueda lógica   |
| <b>Ancho de la impresión</b>                 | 63.34 mm, 400 puntos  |
| <b>Caracteres por línea (por defecto)</b>    | <b>Fuente de 7 x 9:</b> 40, <b>Fuente de 9 x 9:</b> 33, <b>Kanji de 16 x 16:</b> 25, <b>Tailandés de 7 x 27:</b> 40, <b>Tailandés de 9 x 27:</b> 33   |
| <b>Tamaño de los caracteres</b>              | <b>Fuente ANK de 7 x 9:</b> 1.2 x 3.1 mm Gráficos: 1.7 x 3.1 mm (1.6 x 3.1 mm*)<br><b>Fuente ANK de 9 x 9:</b> 1.6 x 3.1 mm Gráficos: 2.0 x 3.1 mm (1.9 x 3.1 mm*)<br><b>Kanji de 16 x 16:</b> 2.7 x 2.7 mm<br><b>Tailandés de 7 x 27:</b> 1.2 x 9.5 mm<br><b>Tailandés de 9 x 27:</b> 1.6 x 9.5 mm |
| <b>Número de caracteres</b>                  | Caracteres alfanuméricos: 95; Caracteres internacionales: 32<br>Caracteres gráficos: tablas de caracteres de 128 x 8<br>(Los modelos multilingües tienen 11 tablas de caracteres y apoyo para una de las siguientes: caracteres en japonés Kanji, chino Kanji, taiwanés Kanji, o en tailandés.)     |
| <b>Velocidad de impresión</b>                | Aprox. 3.5 lps (40 columnas, 16 cpi); 6.4 lps (16 columnas, 16 cpi)<br>Sin incluir el tiempo de transferencia de datos ni de procesamiento.<br>La impresión a dos colores o en color rojo reduce la velocidad.  |
| <b>Velocidad de la alimentación de papel</b> | Aprox. 106 mm/s de alimentación continua de papel   |
| <b>Espaciado entre líneas (por defecto)</b>  | 4.23 mm   |
| <b>Cartuchos de cinta</b>                    | ERC-38 (P) Vida del color Morado: 4,000,000 de caracteres<br>ERC-38 (B) Vida del color Negro: 3,000,000 de caracteres<br>ERC-38 (B/R) Vida de los colores Negro/Rojo: Negro 4,000,000 / Rojo 750,000 caracteres<br>Vida basada en una impresión continua a 25° C                                    |
| <b>Ancho del rollo de papel</b>              | 76 mm: ± 0.5  |
| <b>Interface</b>                             | Serie RS-232C o Paralelo bidireccional  |
| <b>Memoria intermedia de recepción</b>       | 1 KB ó 40 bytes (Multilingüe: 512 KB ó 40 bytes)  |
| <b>Función DKD</b>                           | 2 controladores   |
| <b>Fuente de alimentación</b>                | +24 ~ +34 V de C.C.   |
| <b>Consumo:</b>                              | En funcionamiento: 43 W en promedio (excepto la apertura del cajón)<br>En reposo: 6 W en promedio   |
| <b>Vida</b>                                  | Mecanismo: 7,500,000 líneas<br>Cabezal impresor: 150 millones de caracteres<br>Cortador automático: 800,000 cortes  |
| <b>MTBF (Tiempo medio entre averías)</b>     | 180,000 horas   |
| <b>MCBF</b>                                  | 18,000,000 líneas   |
| <b>Temperatura</b>                           | En funcionamiento: De 0 a 50° C<br>Almacenaje: De -10 a 50° C   |
| <b>Humedad</b>                               | En funcionamiento: De 10 a 90 % de HR (sin condensación)<br>Almacenaje: De 10 a 90 % de HR (sin condensación)   |
| <b>Dimensiones totales</b>                   | <b>Tipo A</b> 160 x 160 x 295 mm (H x A x P)<br><b>Tipo B</b> 150 x 160 x 248 mm (H x A x P)<br><b>Tipo D</b> 133 x 160 x 248 mm (H x A x P)  |
| <b>Peso</b>                                  | <b>Tipo A</b> 2.5 kg, <b>Tipo B</b> 2.5 kg, <b>Tipo D</b> 2.2 kg  |

\* indica un valor con el interruptor DIP 2-1 ENCENDIDO (ON)

ANK: Caracteres alfanuméricos, lps: líneas por segundo



# Serie TM-U210

## Manuale dell'utente

### Dell'interruttore DIP

Per informazioni sulle impostazioni dell'interruttore DIP, vedere la seconda di copertina di questo manuale.

### Figure

Questo manuale è diviso in 7 sezioni, una per ogni lingua. La maggior parte delle figure si trova nella prima sezione e non è ripetuta. Tuttavia, ogni sezione contiene i riferimenti alle pagine per le figure.

#### Parti della stampante

1. Tipo A
2. Tipo B e Tipo D a due colori
3. Tipo D ad un colore

Tutti i diritti riservati. Nessuna parte di questa pubblicazione può essere riprodotta, memorizzata in un sistema di reperimento, né trasmessa in qualsiasi forma o con qualsiasi mezzo (elettronico, meccanico, fotocopia, registrazione o altro) senza la preventiva autorizzazione scritta della Seiko Epson Corporation. Viene esclusa ogni responsabilità di brevetto rispetto all'uso delle informazioni contenute in questa pubblicazione. Malgrado questo manuale sia stato preparato con la massima cura, la Seiko Epson Corporation non si assume alcuna responsabilità per eventuali errori o omissioni in esso contenuti, né per eventuali danni risultanti dall'uso delle informazioni contenute in questo manuale.

Né la Seiko Epson Corporation, né alcuna delle sue affiliate, sarà ritenuta responsabile verso l'acquirente di questo prodotto, o terze parti, di eventuali danni, perdite, costi o spese sostenuti dall'acquirente o terze parti risultanti da: incidente, uso improprio o abuso di questo prodotto, o da modifiche non autorizzate, riparazioni, alterazioni a questo prodotto, oppure (esclusi gli Stati Uniti d'America) dalla totale inosservanza delle istruzioni per l'uso e la manutenzione impartite dalla Seiko Epson Corporation.

La Seiko Epson Corporation non sarà responsabile di alcun danno o problema insorto dall'uso di qualsiasi accessorio opzionale o di prodotti consumabili diversi da quelli designati dalla Seiko Epson Corporation come Prodotti originali Epson o Prodotti approvati dalla Epson.

EPSON e ESC/POS sono marchi registrati di Seiko Epson Corporation.

**AVVISO:** il contenuto di questo manuale è soggetto a cambiamenti senza preavviso.

Copyright © 2001 Seiko Epson Corporation, Nagano, Giappone.

## Standard EMC e di sicurezza applicati a questi prodotti

### Stampante

Nome del prodotto: TM-U210A/TM-U210B/  
TM-U210D

Nome del modello: M119A/M119B/M119D

Gli standard seguenti sono stati applicati solo alle stampanti così etichettate. (L'EMC è verificata usando l'adattatore CA e l'alimentatore PS-170 inclusi nella confezione.)

|               |   |
|---------------|---|
| Europa:       | Contrassegno CE<br>Sicurezza: EN 60950                                |
| Nord America: | EMI: FCC/ICES-003 Classe A<br>Sicurezza: UL 1950/CSA C22.2<br>No. 950 |
| Giappone:     | EMC: VCCI Classe A  |
| Oceania:      | EMC: AS/NZS 3548 Classe B   |
| Taiwan:       | EMC: Classe B   |

### Adattatore CA

Nome del prodotto: PA-6511/6513, PB-6509/6510

Nome del modello: M34PA, M34PB

Gli standard seguenti sono stati applicati solo agli adattatori così etichettati. (Gli standard EMC sono applicati insieme alla stampante e all'adattatore CA)

|               |   |
|---------------|---|
| Europa:       | Contrassegno CE<br>Sicurezza: EN 60950                                  |
| Nord America: | Sicurezza: UL 1950/CSA C22.2<br>No. 950                                 |
| Giappone:     | Sicurezza: Electrical Appliance and<br>Material Control Law of<br>Japan |
| Oceania:      | Sicurezza: AS 3260  |

### AVVERTENZA

Il collegamento a questa stampante di un cavo d'interfaccia di stampante non schermato renderà non validi gli standard EMC di questa periferica. Si informa che cambiamenti o modifiche non espressamente approvati dalla SEIKO EPSON Corporation possono rendere nullo il diritto di usare il prodotto.

### Contrassegno CE

La stampante è conforme alle direttive e norme seguenti:

|                      |  |
|----------------------|--|
| Direttiva 89/336/EEC | EN 55022 Classe B<br>EN 55024<br>IEC 61000-4-2<br>IEC 61000-4-3<br>IEC 61000-4-4<br>IEC 61000-4-5<br>IEC 61000-4-6<br>IEC 61000-4-11 |
| Direttiva 90/384/EEC | EN 45501   |

## Precauzioni di sicurezza

Questa sezione contiene informazioni importanti per l'uso efficiente e sicuro di questo prodotto. Leggere attentamente questa sezione e conservarla in un luogo prontamente accessibile.



### AVVERTENZA:

*Spegnere immediatamente l'unità se produce fumo, un odore strano o un rumore inconsueto. L'uso continuato potrebbe costituire causa d'incendio. Staccare immediatamente la spina dell'unità e rivolgersi al rivenditore o alla SEIKO EPSON per assistenza in merito.*

*Non riparare mai da soli questa unità. La riparazione impropria potrebbe creare un pericolo.*

*Non smontare né modificare mai questo prodotto. La manomissione del prodotto potrebbe causare lesioni personali, incendio.*

*Accertarsi di usare la fonte di alimentazione specificata. Il collegamento del prodotto ad una fonte di alimentazione impropria potrebbe causare incendio.*

*Evitare che nell'unità entrino corpi estranei. Questi potrebbero causare incendio.*

*Se acqua o altri liquidi cadono accidentalmente nell'unità, staccare immediatamente il cavo di alimentazione, quindi rivolgersi per consigli al rivenditore o al centro di assistenza della SEIKO EPSON. L'uso continuato dell'unità potrebbe causare incendio.*

**ATTENZIONE:**

*Non collegare i cavi in alcun modo diverso da quello indicato in questo manuale. Collegamenti non corretti possono causare danni all'unità e ustioni personali.*

*Posare questa unità su una superficie piana, solida e stabile. Se cade, questa unità può rompersi o causare lesioni personali.*

*Non usare questa unità in ambienti soggetti ad un elevato tasso di umidità o polvere. L'umidità o la polvere eccessiva può causare danni all'unità o incendio.*

*Non mettere oggetti pesanti sopra questa unità. Non porsi sopra questa unità né appoggiarsi. L'unità potrebbe cadere e rompersi o causare lesioni personali.*

*Per motivi di sicurezza, staccare sempre la spina dell'unità prima di lasciarla incustodita per un lungo periodo di tempo.*

---

**Etichette di avvertimento****AVVERTENZA:**

*Non collegare una linea telefonica al connettore del cassetto estraibile; la stampante e la linea telefonica possono danneggiarsi.*

**ATTENZIONE:**

*La testina di stampa è molto calda.*

## Caratteristiche dei tipi di stampante

|                       | <i>Tipo A</i>               | <i>Tipo B</i>               | <i>Tipo D</i>               |
|-----------------------|-----------------------------|-----------------------------|-----------------------------|
| Stampa a due colori   | Sì                          | Sì                          | Un colore o due colori      |
| Taglierina automatica | Sì                          | Sì                          | No                          |
| Avvolgitore           | Sì                          | No                          | No                          |
| Interfaccia           | Seriale o parallela         | Seriale o parallela         | Seriale o parallela         |
| Caratteri supportati  | Alfanumerici o multilingue* | Alfanumerici o multilingue* | Alfanumerici o multilingue* |

\* I modelli multilingue possono stampare caratteri alfanumerici ed uno dei seguenti: Kanji giapponese, Kanji cinese, Kanji taiwanese o caratteri Thai.

Poiché le stampanti **Tipo D** non hanno la taglierina automatica, se viene usata una stampante **Tipo D** saltare la parti delle istruzioni riguardanti la taglierina automatica.

### Illustrazioni

Poiché questo manuale tratta tre tipi di stampanti TM-U210, alcune illustrazioni possono essere leggermente diverse dalla propria stampante. Tuttavia, le istruzioni riguardano tutti e tre i tipi, tranne quando viene diversamente indicato.

### Disimballaggio

Gli articoli seguenti possono essere inclusi con la stampante, a seconda delle specifiche del modello acquistato. Se un articolo risulta danneggiato, rivolgersi al rivenditore della stampante.

- |  |  |
|--|--|
| <input type="checkbox"/> Stampante                             | <input type="checkbox"/> Rotolo della carta  |
| <input type="checkbox"/> Copertura dell'interruttore           | <input type="checkbox"/> Cassetta del nastro |
| <input type="checkbox"/> Rocchetto avvolgitore per il giornale | <input type="checkbox"/> Adattatore CA       |

### Pannello di controllo

#### Pulsante FEED

Alimenta la carta nella stampante.

#### LED ERROR

Indica un errore.

## LED POWER

La spia luminosa POWER si accende quando la stampante è accesa.

## LED PAPER OUT

Se acceso, indica che la carta è finita o sta per finire. Se lampeggia, indica lo stato di attesa.

---

## Uso della copertura dell'interruttore dell'alimentazione



### AVVERTENZA:

*Se la stampante subisce un incidente e la copertura dell'interruttore dell'alimentazione è installata, staccare immediatamente il cavo di alimentazione. L'uso continuato della stampante può causare un incendio o una scossa elettrica.*

La copertura dell'interruttore dell'alimentazione, fornita con il prodotto, assicura che l'interruttore non venga premuto accidentalmente. Per usare questa copertura, installarla così come mostrato nella figura 1 a pagina 4.

---

## Installazione della cassetta del nastro



### ATTENZIONE:

*Per non danneggiare la cassetta del nastro, non ruotare mai la manopola di alimentazione della cassetta nella direzione opposta a quella indicata dalla freccia impressa sulla cassetta.*

### Nota:

*Con la stampante usare la cassetta del nastro EPSON ERC-38.*

1. Aprire la copertura della stampante e ruotare due o tre volte la manopola nella direzione della freccia, come mostrato nella figura 2 a pagina 5.
2. Aprire la taglierina automatica tirando la linguetta in alto e in avanti.
3. Inserire il nastro nella posizione indicata nella figura 3 a pagina 5, quindi premere in basso la cassetta del nastro fino a quando si sente un clic.

### Nota:

*Verificare che il nastro sia installato fra la testina di stampa e il rullo, senza increspature o pieghe.*

4. Ruotare di nuovo per 2 o 3 volte la manopola della cassetta del nastro nella direzione della freccia, chiudere la taglierina automatica usando la linguetta e chiudere la copertura della stampante.

---

## ***Installazione del rotolo della carta***

1. Con un paio di forbici tagliare il bordo d'entrata del rotolo della carta, come mostrato nella figura **4** a pagina 6.
2. Accendere la stampante, aprire la copertura e inserire il rotolo della carta, come mostrato nella figura **5** a pagina 6. Notare la direzione di uscita della carta dal rotolo, mostrata nella figura **6** a pagina 6.
3. Aprire la taglierina automatica tirando la linguetta in alto e in avanti, come mostrato nella figura **7** a pagina 6.
4. Tenere la carta per entrambi i bordi ed inserirla diretta nella fessura per la carta, come mostrato nella figura **8** a pagina 6. La stampante alimenta automaticamente la carta.
5. Se non viene usato il rocchetto avvolgitore, strappare la carta, chiudere la taglierina automatica, quindi chiudere la copertura della stampante. Si possono saltare i passi da 6 a 8.
6. **Solo per il Tipo A:** se viene usato il rotolo di carta a 2 strati, inserire l'estremità della carta nel rocchetto avvolgitore, come mostrato qui sotto. Verificare che la lunghezza della dimensione A sia compresa tra 40 e 60 mm, e che il lato sinistro della carta sia allineato con la flangia del rocchetto, indicato dalla freccia nella figura **9** a pagina 7.
7. Inserire il rocchetto avvolgitore per il giornale nella stampante, come mostrato nella figura **10** a pagina 7, e tagliare la carta delle ricevute.
8. Chiudere la taglierina automatica usando la linguetta. Controllare di nuovo che il lato sinistro della carta sia allineato con la flangia del rocchetto; quindi, chiudere la copertura della stampante.

---

## ***Risoluzione dei problemi***

---

### **Sul pannello di controllo nessuna spia luminosa è accesa**

---

Controllare i collegamenti del cavo di alimentazione e la presa di corrente.



---

## La spia luminosa **ERROR** lampeggia senza stampa (e senza inceppamento della carta)

---

La stampa si interrompe se la testina si surriscalda, e riprende quando la testina si raffredda. Spegnere la stampante e riaccenderla dopo 10 secondi.

### **Rimozione della carta inceppata**

Per rimuovere la carta inceppata, procedere come segue:



#### **ATTENZIONE:**

*Durante la stampa, la testina di stampa diventa molto calda. Attendere che la testina di stampa si raffreddi prima di toccare l'interno della stampante.*

1. Aprire la copertura della stampante.
2. Tagliare la carta delle ricevute (e la carta del giornale, se viene usata una stampante **Tipo A** e carta a due strati) nei punti indicati dalle frecce nella figura **11** a pagina 8.
3. Rimuovere il rotolo della carta dalla stampante e aprire la taglierina automatica tirando la linguetta in alto e in avanti.
4. Rimuovere la carta inceppata tirandola nella direzione dell'alimentazione della carta, come mostrato nella figura **12** a pagina 8.

#### **Nota:**

*Non tirare la carta inceppata nella direzione opposta a quella dell'alimentazione della carta.*

5. Se la carta continua a rimanere nella stampante, procedere come segue.
6. Rimuovere la cassetta del nastro.
7. Allentare la vite che fissa la copertura della testina di stampa. Girare la vite fino a quando si può inclinare la copertura, come mostrato nella figura **13** a pagina 8.

#### **Nota:**

*Non rimuovere la vite dalla copertura della testina di stampa.*

8. Sollevare la copertura della testina di stampa, come mostrato nella figura **14** a pagina 8.
9. Rimuovere la carta inceppata.

#### **Nota:**

*Non tirare la carta inceppata nella direzione opposta a quella dell'alimentazione della carta.*

10. Rimettere a posto la copertura della testina di stampa e fissarla con la vite.
11. Rimettere a posto la cassetta del nastro e chiudere la taglierina automatica.
12. Se la lama delle taglierina automatica non si trova nella sua posizione normale (se la lama è visibile nella fessura della taglierina automatica, indicata da una freccia nella figura **15** a pagina 9, la lama non è in posizione normale), inserire un cacciavite sul lato destro della taglierina automatica, quindi girare l'ingranaggio interno per spostare la lama in posizione normale.
13. Rimettere a posto il rotolo della carta e chiudere la copertura della stampante.

## Specifiche: TM-U210 Modelli A, B, D

|  |  |
|--|--|
| <b>Metodo di stampa</b>                  | A matrice di punti ad impatto, seriale   |
| <b>Direzione della stampa</b>            | Bidirezionale, a ricerca logica  |
| <b>Larghezza di stampa</b>               | 63,34 mm, 400 posizioni di punti   |
| <b>Caratteri per linea (predefinito)</b> | <b>7 × 9 Font:</b> 40, <b>9 × 9 Font:</b> 33, <b>16 × 16 Kanji:</b> 25,<br><b>7 × 27 Thai:</b> 40, <b>9 × 27 Thai:</b> 33  |
| <b>Dimensione caratteri</b>              | <b>7 × 9 Font ANK:</b> 1,2 × 3,1 mm Grafica: 1,7 × 3,1 mm (1,6 × 3,1 mm*)<br><b>9 × 9 Font ANK:</b> 1,6 × 3,1 mm Grafica: 2,0 × 3,1 mm (1,9 × 3,1 mm*)<br><b>16 × 16 Kanji:</b> 2,7 × 2,7 mm<br><b>7 × 27 Thai:</b> 1,2 × 9,5 mm<br><b>9 × 27 Thai:</b> 1,6 × 9,5 mm |
| <b>Numero di caratteri</b>               | Caratteri alfanumerici: 95; caratteri internazionali: 32<br>Grafica: 128 × 8 tavole di caratteri<br>(I modelli multilingue hanno 11 tavole di caratteri e supportano uno dei seguenti caratteri: Kanji giapponese, Kanji cinese, Kanji taiwanese o caratteri Thai)   |
| <b>Velocità di stampa</b>                | Circa 3,5 linee/secondo (40 colonne, 16 caratteri/pollice); 6,4 linee/secondo (16 colonne, 16 caratteri/pollice)<br>Non includendo i tempi di trasmissione ed elaborazione dati.<br>La stampa a due colori o in rosso riduce la velocità.                            |
| <b>Velocità alimentazione carta</b>      | Circa 106 mm/s, alimentazione continua della carta   |
| <b>Interlinea (predefinita)</b>          | 4,23 mm  |
| <b>Cassette del nastro</b>               | ERC-38 (P) Viola. Durata: 4.000.000 di caratteri<br>ERC-38 (B) Nero. Durata: 3.000.000 caratteri<br>ERC-38 (B/R) Nero/Rosso. Durata: Nero 4.000.000/Rosso 750.000 caratteri.<br>La durata si basa su stampa continua a 25°C.   |
| <b>Larghezza del rotolo della carta</b>  | 76 mm: ± 0,5   |
| <b>Interfaccia</b>                       | RS-232C o parallela bidirezionale  |
| <b>Buffer dati in arrivo</b>             | 1 KB o 40 byte (Multilingue: 512 KB o 40 byte)   |
| <b>Funzione DKD</b>                      | 2 unità  |
| <b>Alimentazione</b>                     | + 24 ~ +34 V CC  |
| <b>Consumo di corrente</b>               | In funzionamento: circa 43 W (tranne cassetto estraibile)<br>In standby: circa 6 W.  |
| <b>Durata utile</b>                      | Meccanismo: 7.500.000 linee<br>Testina di stampa: 150 milioni di caratteri<br>Taglierina automatica: 800.000 tagli   |
| <b>MTBF</b>                              | 180.000 ore  |
| <b>MCBF</b>                              | 18.000.000 linee   |
| <b>Temperatura</b>                       | Luogo di funzionamento: da 0 a 50°C<br>Magazzino: da -10 a 50° C   |
| <b>Umidità</b>                           | Luogo di funzionamento: da 10 a 90% umidità relativa (senza condensa)<br>Magazzino: da 10 a 90% umidità relativa (senza condensa)  |
| <b>Dimensioni complessive</b>            | <b>Tipo A</b> 160 × 160 × 295 mm (A × L × P)<br><b>Tipo B</b> 150 × 160 × 248 mm (A × L × P)<br><b>Tipo D</b> 133 × 160 × 248 mm (A × L × P)   |
| <b>Peso (massa)</b>                      | <b>Tipo A</b> 2,5 kg, <b>Tipo B</b> 2,5 kg, <b>Tipo D</b> 2,2 kg   |

\* indica il valore con l'interruttore DIP 2-1 ON (attivato)

ANK: Caratteri alfanumerici, lps: linee al secondo









Printed in China

1999.12